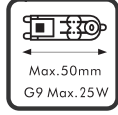
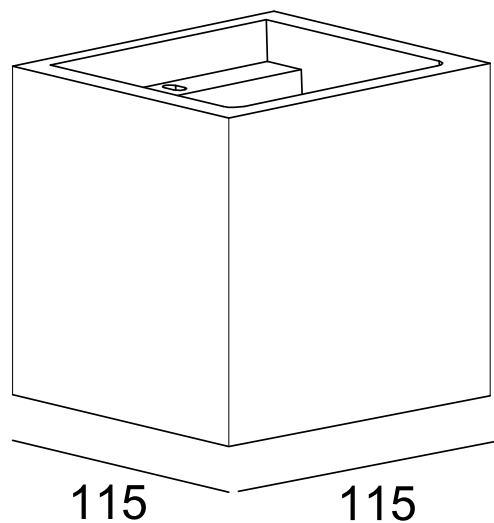
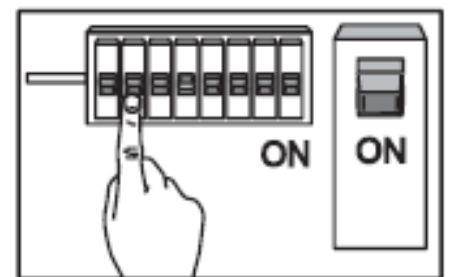
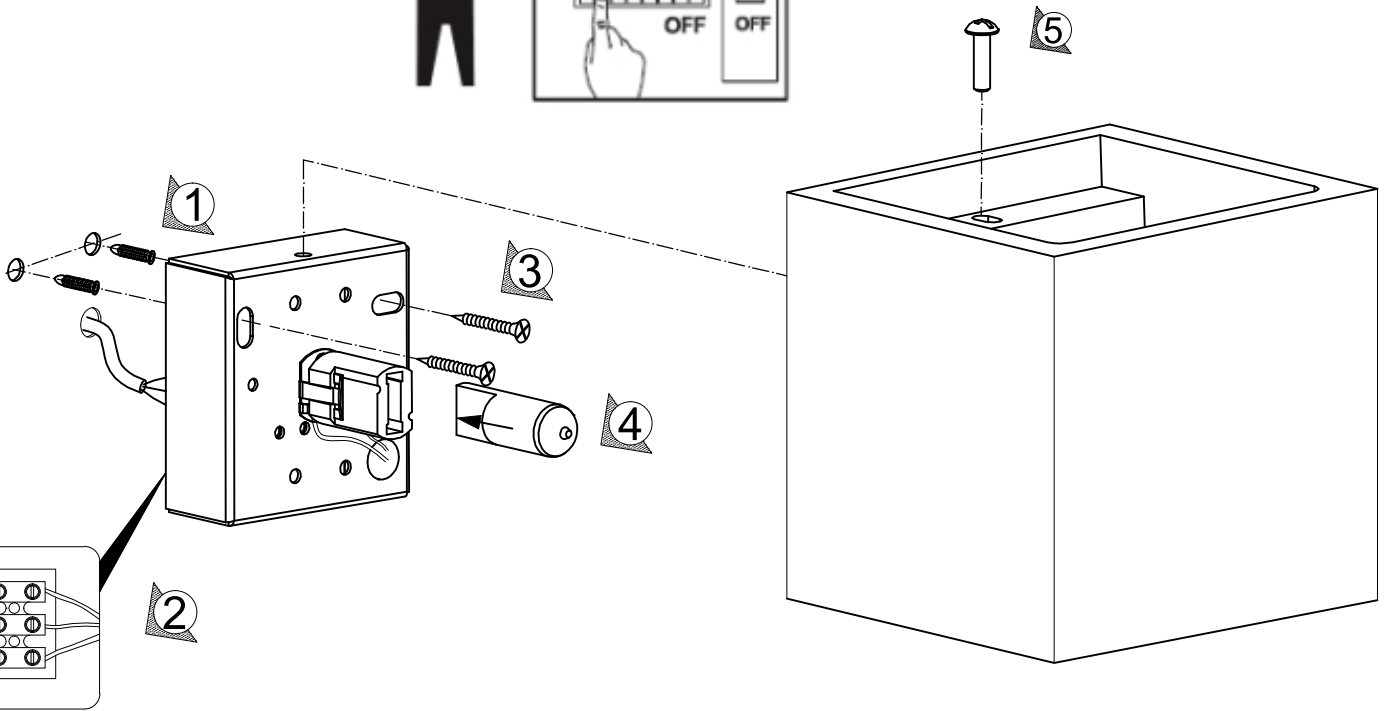


# INSTRUCTION MANUAL



## Box WL Concrete

96575



115

115

115

**FittinQ B.V.**

Smaragdweg 52, 5527 LB Hapert, The Netherlands  
www.qazqa.nl

QAZQA