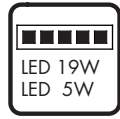
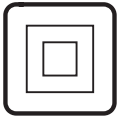
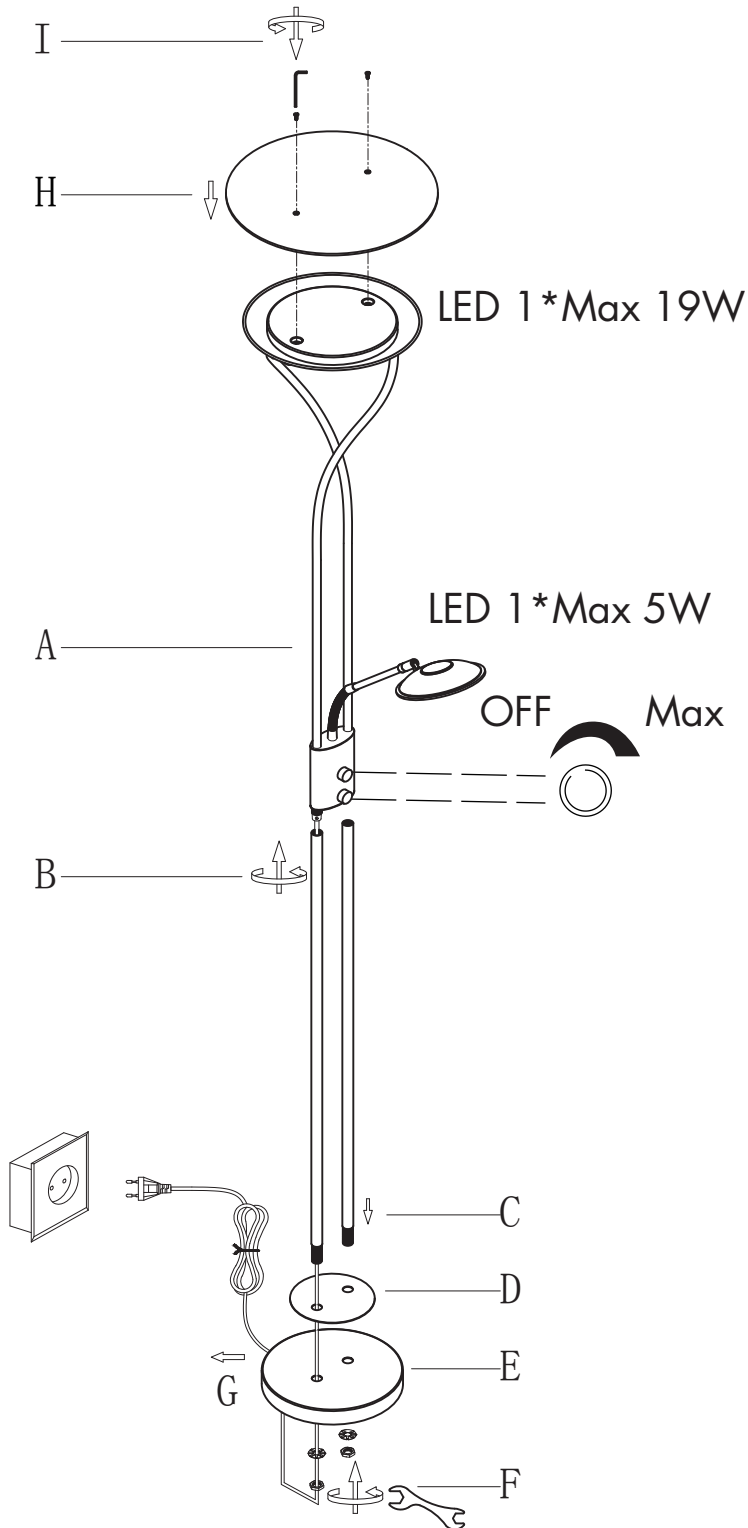


INSTRUCTION MANUAL



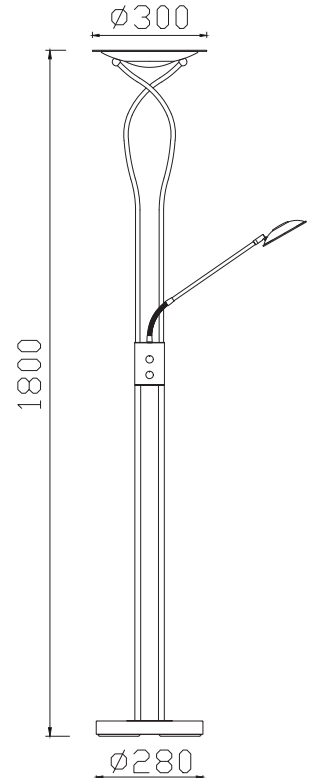
Mallorca FL



This item contains unchangeable LED

1900+450	LM
19+5	W
2700	K
>80	CRI
20000	H
15000	ON/OFF

Overall Sizes:



QAZQA

WWW.QAZQA.COM