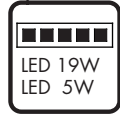
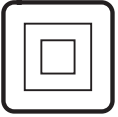
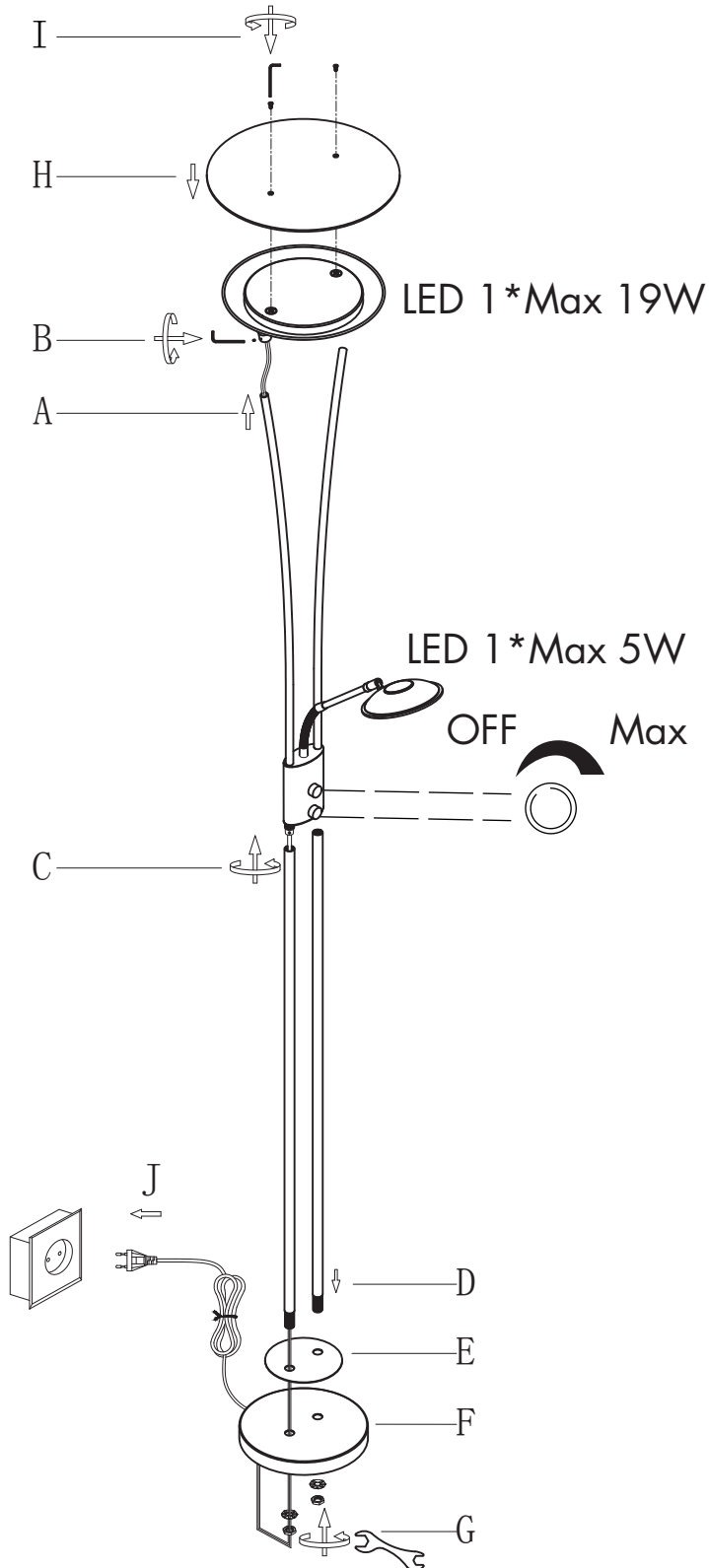


INSTRUCTION MANUAL



Ibiza FL



This item contains unchangeable LED

| | |
|----------|--------|
| 1900+450 | LM |
| 19+5 | W |
| 2700 | K |
| >80 | CRI |
| 20000 | H |
| 15000 | ON/OFF |

Overall Sizes:

