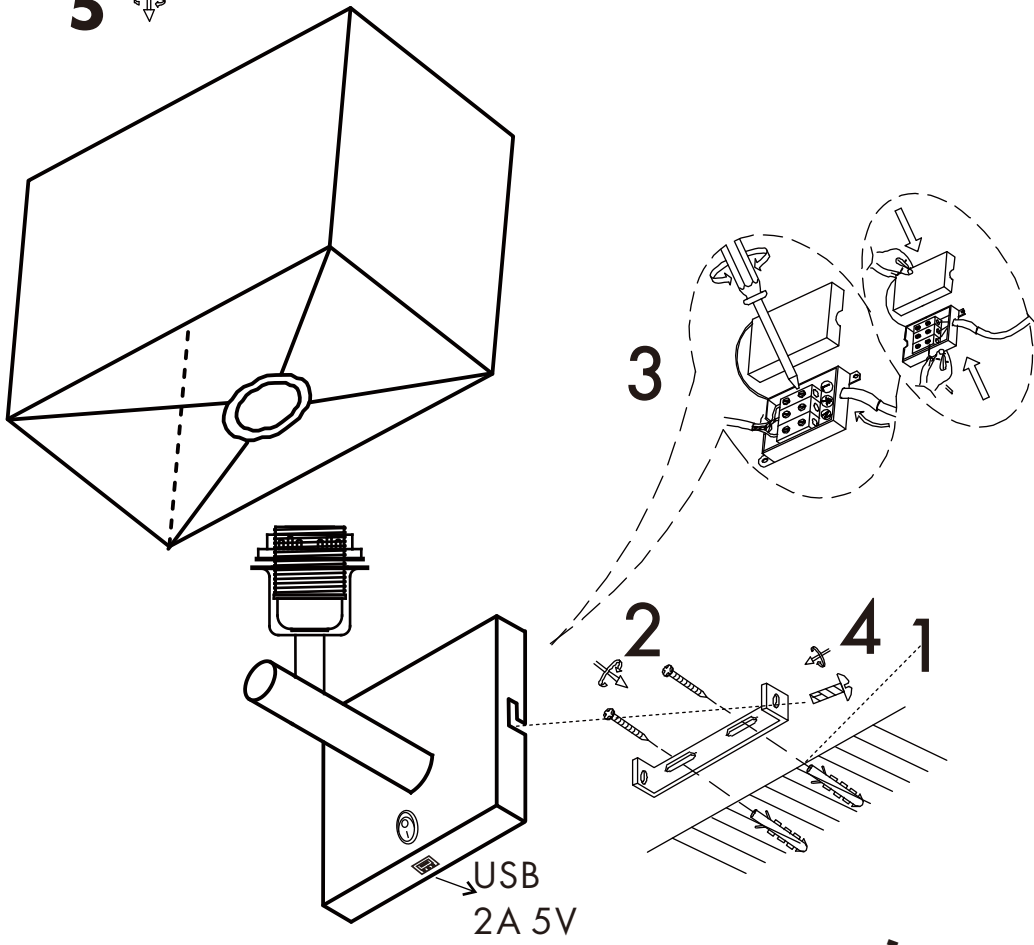
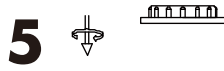
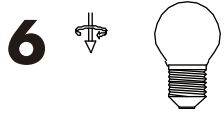


# INSTRUCTION MANUAL



## Combi WL 1 USB



Overall size:

