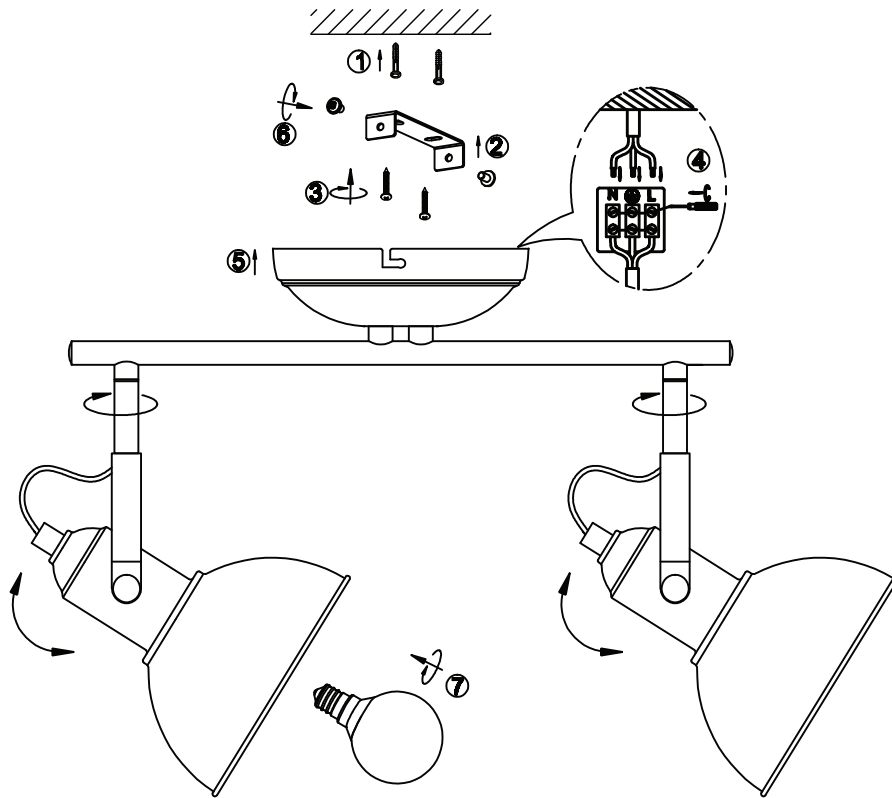


# INSTRUCTION MANUAL



Tommy SL 2



**Overall Sizes:**

