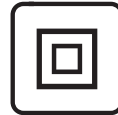


# INSTRUCTION MANUAL

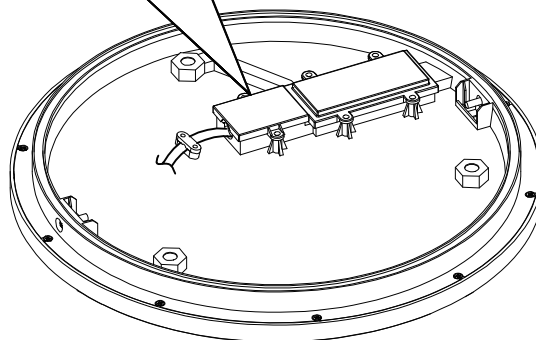
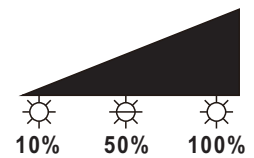
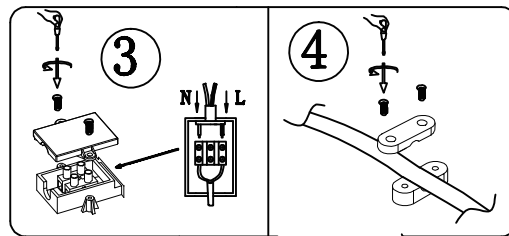
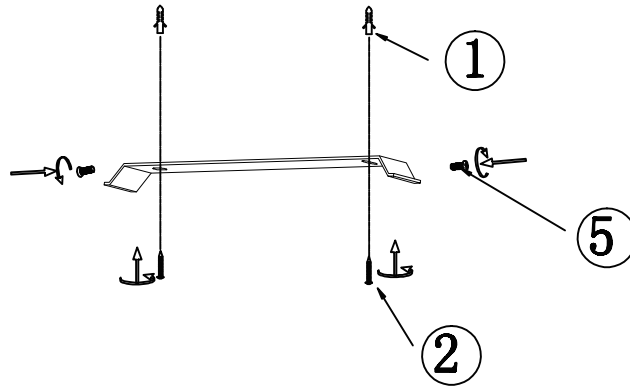
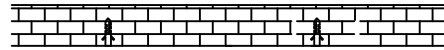
unchangeable LED  
Max.12W  
3000k  
RA>80  
30000H

230V  
50HZ

IP44



## Steve CL 22,5 Round Satin 97602



This item contains  
unchangeable LED

|       |        |
|-------|--------|
| 700   | LM     |
| 12    | W      |
| 3000  | K      |
| >80   | CRI    |
| 30000 | H      |
| 15000 | ON/OFF |

