

INSTALLATION INSTRUCTION

COB TRACKLIGHT 3in1 VT-4745

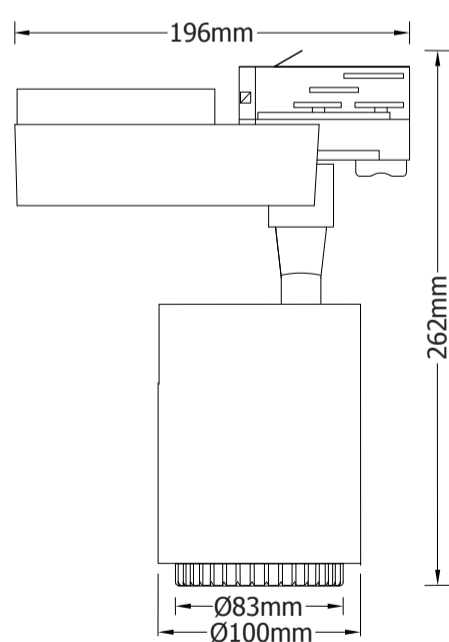


TECHNICAL DATA:

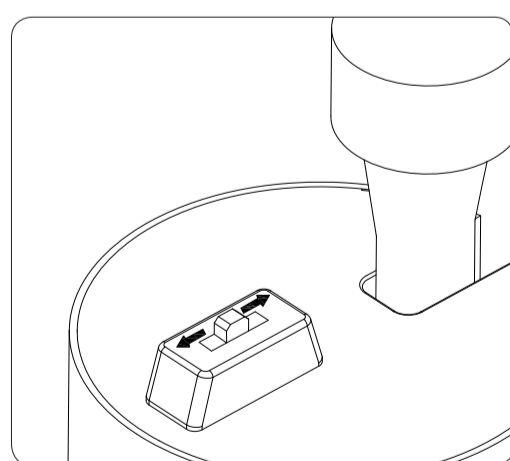
Color Temperature(K)	3 in 1, 3000K / 4000K / 5000K switchable
lumen(lm)	3000lm
Luminaire Efficiency	85lm/W
CRI	Ra95
Type of LED	Dual Color COB LED
Beam Angle	Adjustable 20°-60°
Total Power	35W
Rated Voltage	220-240V AC
Rated Frequency	50/60Hz
Power Factor	0.95
Dimming	Triac dimmable 10%-100%
Material	Aluminum
Dimension	262x196x100mm
Lifespan	30000 hours
Operating Temperature	-20 ~45
IP Rating	IP20

STRUCTURE AND DIMENSION:

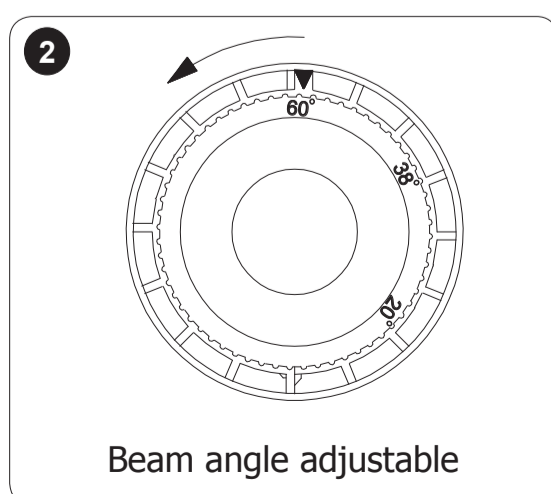
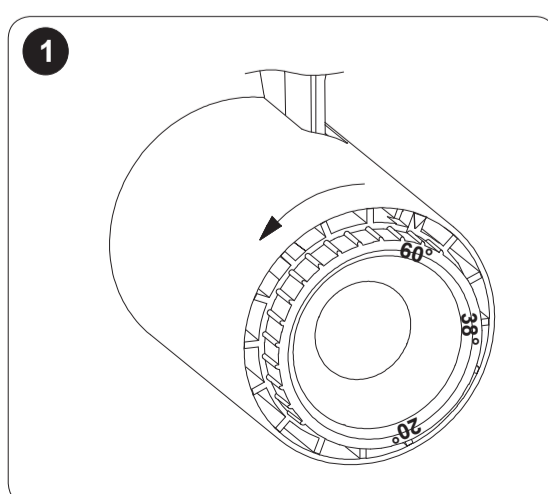
DIAGRAM



CCT adjustable by DIP switch

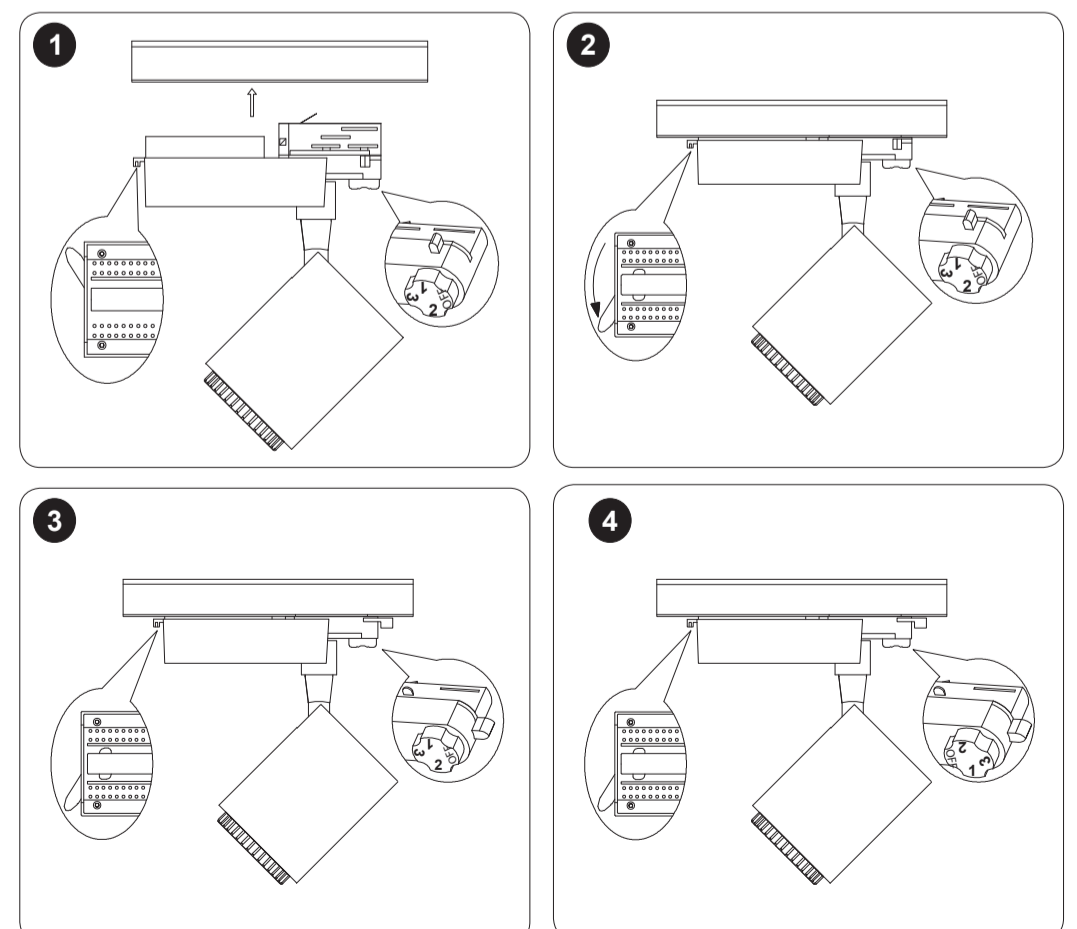


Beam angle adjustable 20°~60°



INSTALLATION INSTRUCTION:

1. Switch off the mains power.
2. Install track in the ceiling solidly.
3. Connect the track to the mains.
4. Turn adaptor slide switch.
5. Fix the lamp into track, lift up the lamp and turn adaptor slide switch.
6. Switch on the power if above steps done properly without any mistakes.



In case of any query/issue with the product, please reach out to us at: support@v-tac.eu

For More products range, inquiry please contact our distributor or nearest dealers. V-TAC EUROPE LTD
Bulgaria, Plovdiv 4000, bul.L.Karavelov 9B