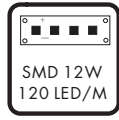
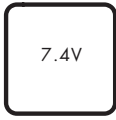
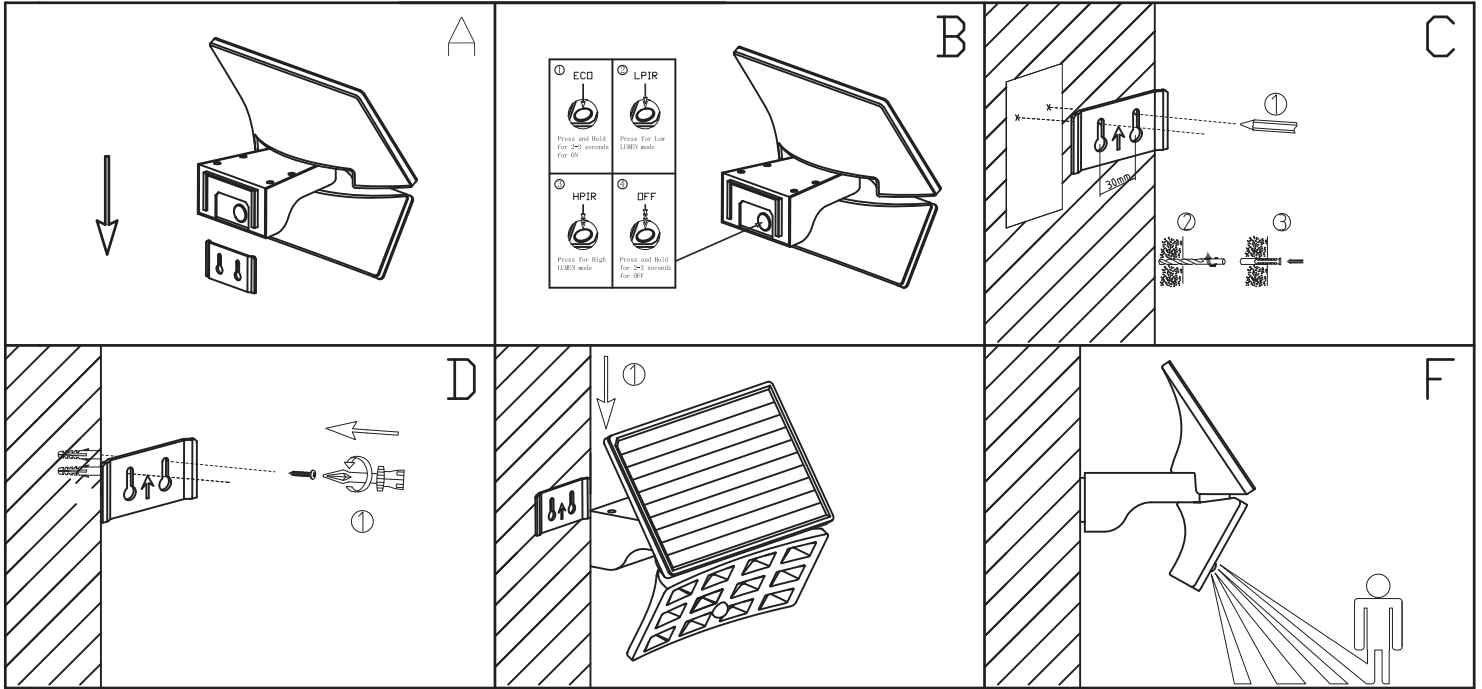


INSTRUCTION MANUAL

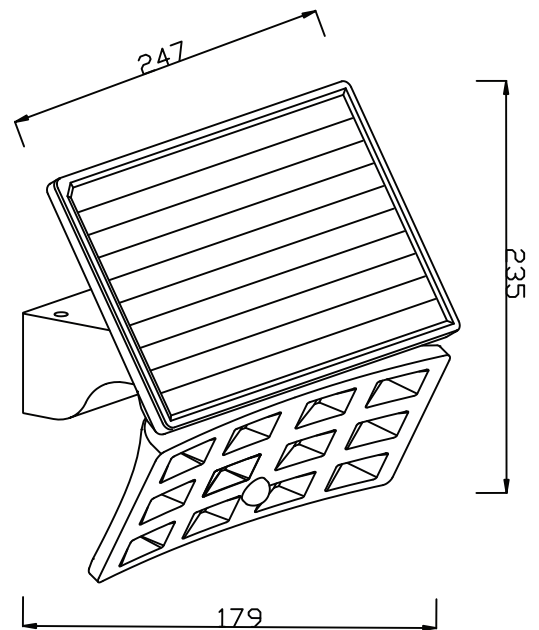


Flip WL Solar and PIR
95141



3 modes and battery 9 hours fully charged
 Mode1. 30LM works 36 hours after fully charged
 Mode2. 120LM works 30 seconds 1000 times after fully charged
 Mode3. 500LM works 30 seconds 260 times after fully charged
 PIR Detection Angle: 100°
 PIR Detection Distance: 6-8 meter
 PIR Sensitivity: ≤200LUX

Overall Sizes:



This item contains
unchangeable LED

500	LM
8	W
3000	K
>80	CRI
30000	H
15000	ON/OFF

QAZQA

WWW.QAZQA.COM