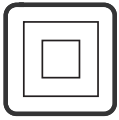
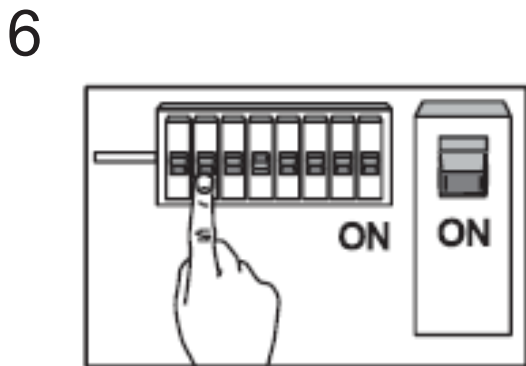
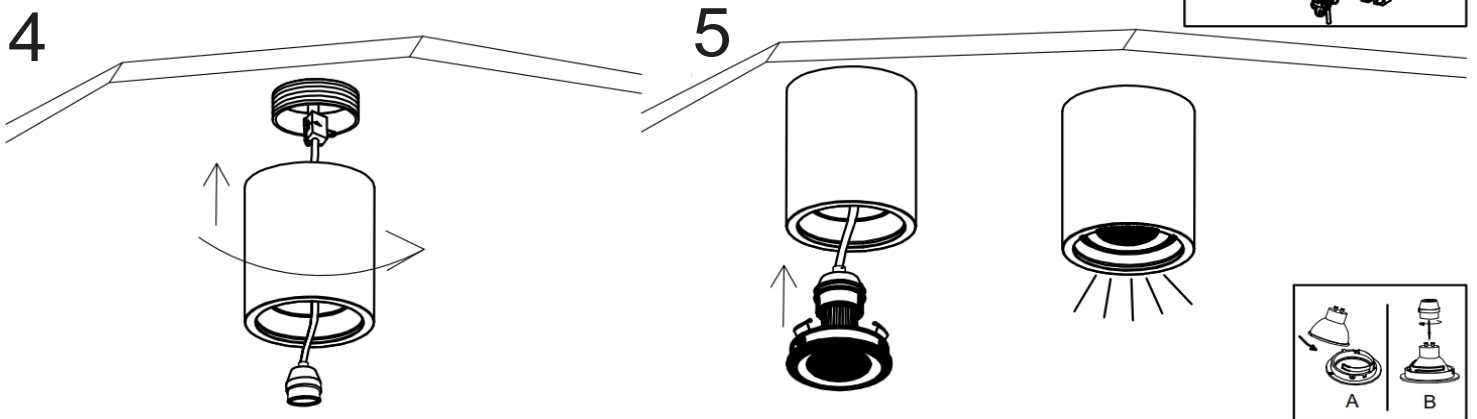
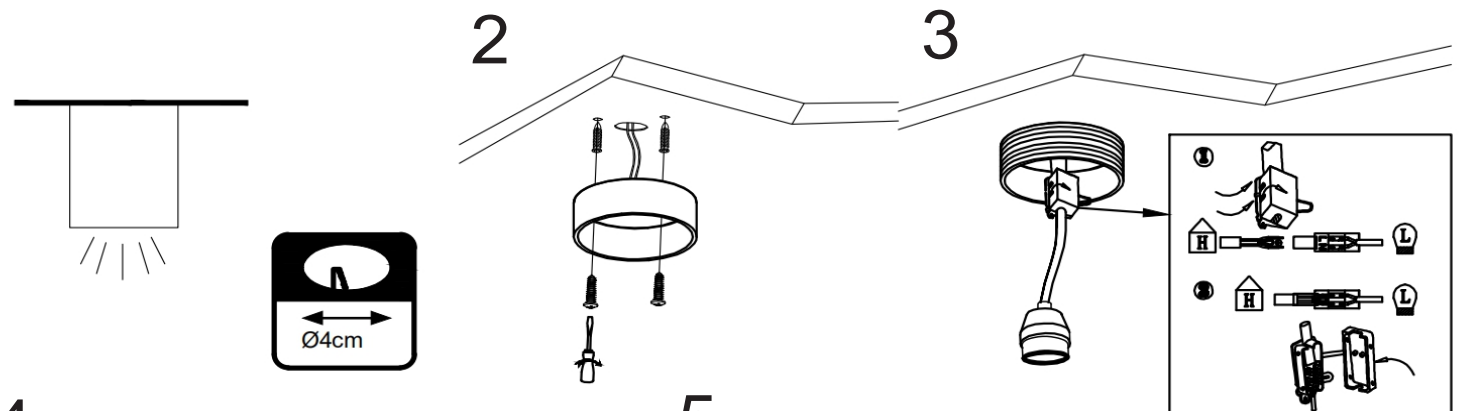
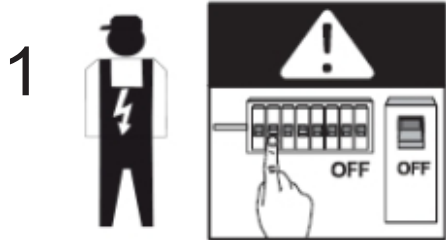


# INSTRUCTION MANUAL



## Deep SL Concrete 95023



12cm

10cm

**FittinQ B.V.**

Smaragdweg 52, 5527 LB Hapert, The Netherlands  
www.qazqa.nl

QAZQA