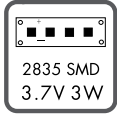


INSTRUCTION MANUAL

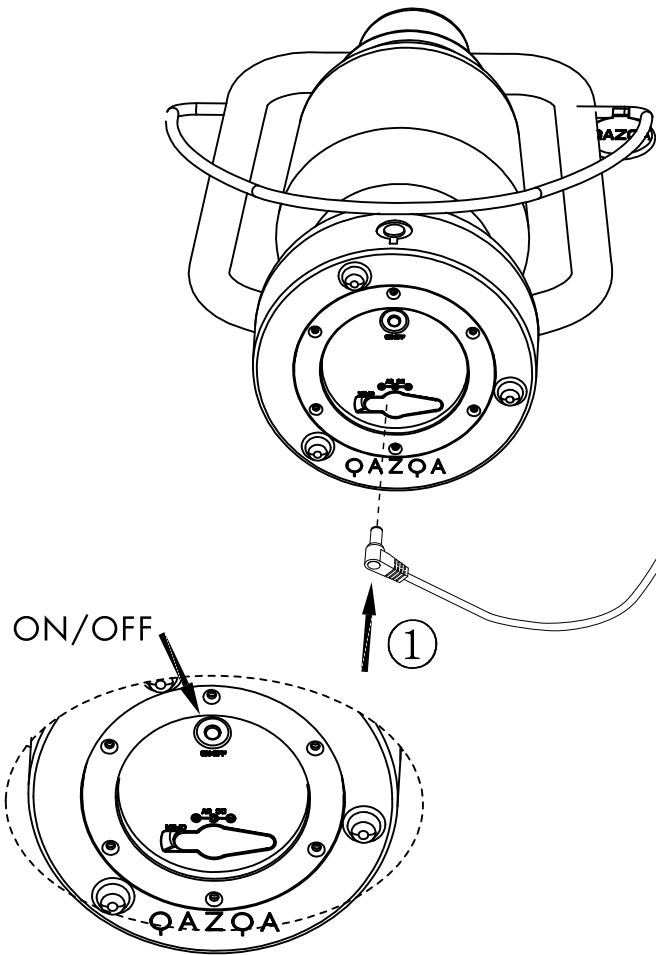


Storm TL White
95006

Reminder:

Standby: 1500hrs after full charge
Please fully recharge before use.

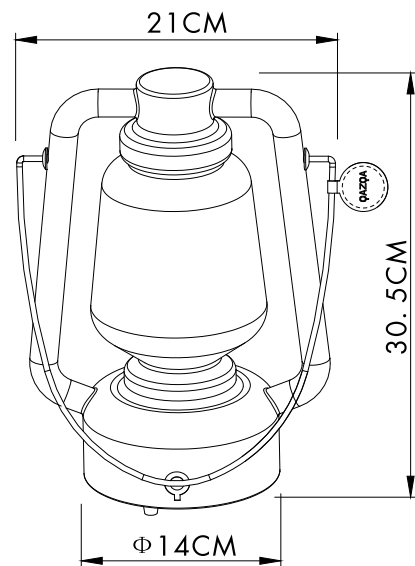
When charging, the red indicating light will be on and after fully charged, the light will be off.



Input: DC 5V

Only USB with output 5V 1A or lower is applicable

Overall Sizes:



Dim by switch, has four different light modes
Flame effect - 50% - 75% - 100%

Press and hold the switch for 3 seconds
turn off the light

This item contains
unchangeable LED

40	LM
3.0	W
1900 and 2700	K
>80	CRI
30000	H
15000	ON/OFF

Specifications

Material	Plastic casing (PE housing, ABS base), iron handle, PU label
Charging	Supplied with 150cm USB cable
Weight	0.6 KG
Overall size	Height 30.5cm, width 21cm, depth 14cm
Base size	dia. 10cm
Battery capacity	3.7V 2000mAh 3W
Charging time	4 hours
Battery time	> 12 hours
Lumen	40 Lumen
Water resistant	Yes, IP44

QAZQA

WWW.QAZQA.COM

SAFETY INSTRUCTION

Please study the instruction manual and below information carefully before installing or using this product. Please keep this user manual for further reference



1. The luminaires may only be installed by authorized and qualified technicians according the valid regulations for electrical installation.
2. Maintenance of the luminaires is limited to their surfaces. During maintenance no moisture can come into contact with any areas of the terminal connections or voltage control parts.
3. The electrical supply must be switched off at the outset, preferably by means of a switch in the distribution box, before any installation, maintenance or repair work is undertaken.
4. Exterior lighting must not be installed during rain.
6. Take account of the minimal separation distance from other objects and the room required around the fitting.
7. If in any doubt, consult a professional, taking local installation requirements into account. Some countries stipulate that lighting may be installed only by registered installers.
8. Clamping screws in electrical connections must be adequately tightened. This is particularly the case with 12V low voltage conductors.
9. When replacing a halogen lamp, wait for it to cool, for a minimum of 5 minutes.
10. Clean with a clean, dry cloth or brush, use no solvents or abrasives. Avoid dampness on all electrical components
11. Take account of all available technical information.
12. Take note of the symbols when connecting wires:

N =Neutral L =Live ⊕=Earth

13. Meaning of symbols:



For indoor use only, where direct contact with water is impossible



This icon indicates the level of water-proof and dust-proof



Protection Class I: the fitting must be earthed



Protection Class II: the fitting is doubled insulated and does not require earthing



Protection Class III: the fitting is low voltage



Minimum distance from lighted objects (meters)



Only the self-shielded halogen lamp should be used with the luminaire



Strip the wire to the indicated length (mm); different items require different length



Connect using the specified cable; different items require different cables



The type of lamp and maximum size and wattage indicated in each lighting unit must not be exceed; different items require different kind of light sources with different bulb icons



The armature is designed to work only with the indicated voltage. Different items require different working voltage.



The luminaire can be used in combination with a dimmer



The reference light angle and light space of the luminaire



This luminaire cannot be disposed together with normal domestic waste in standard rubbish can, but you have to bring it to a staging area for electrical waste