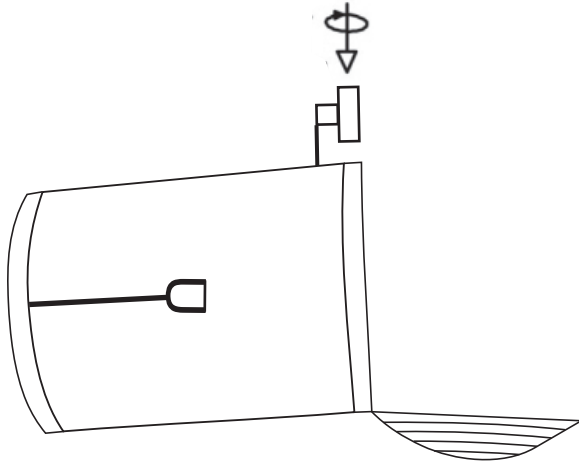
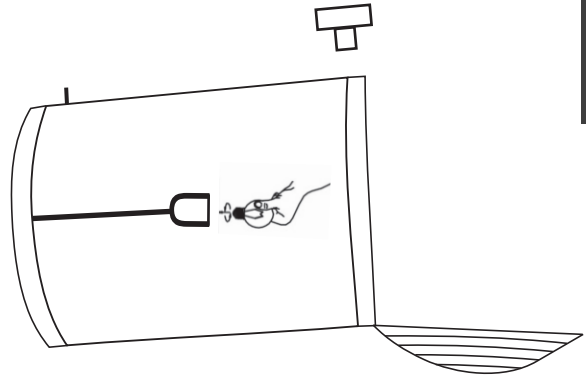


INSTRUCTION MANUAL

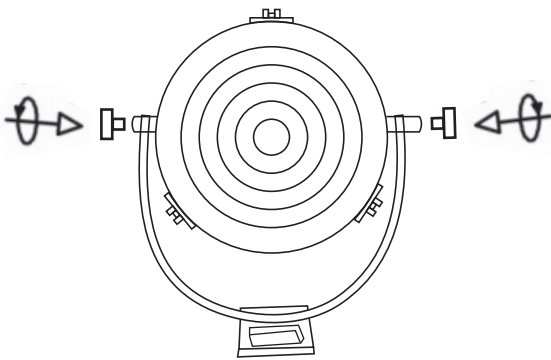
Broca SL Brass (94815)
Blake SL Red Brown (94818)
Byron SL Green (94824)



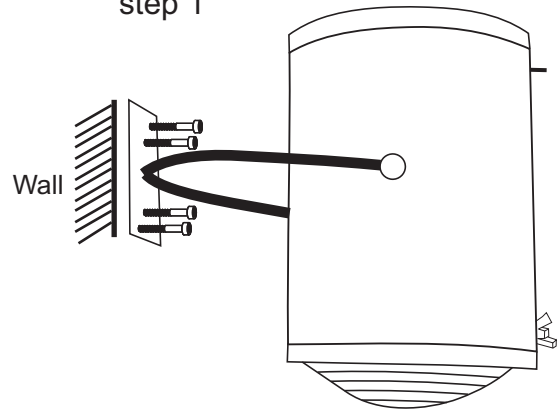
Step 1 : Remove the set screws as shown above for installing the bulb



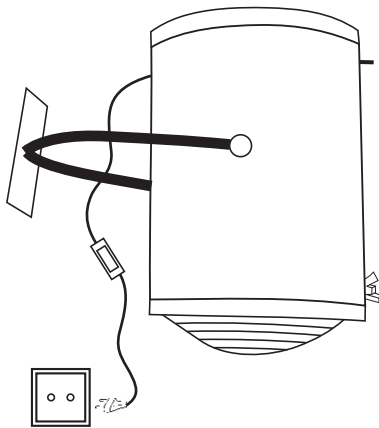
Step 2 : Install an E27 bulb on the lamp holder & close the lens case back using the set screws as shown in step 1



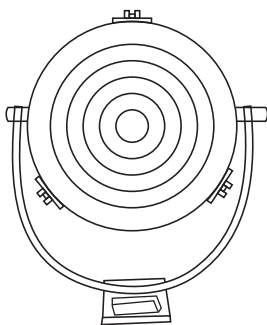
Step 3 : Use the two bracket set screws provided with the lamp to install it with the lamp bracket



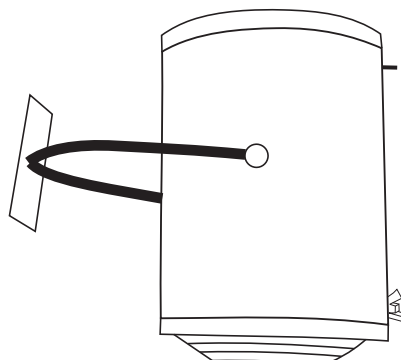
Step 4 : Install the wall bracket on your wall with the help of four screws provided with the lamp



Step 5 : Connect the plug wire chord set emerging from the lamp into the mains connection, your lamp is now ready to use.



Front View



Side View