

INSTRUCTION MANUAL

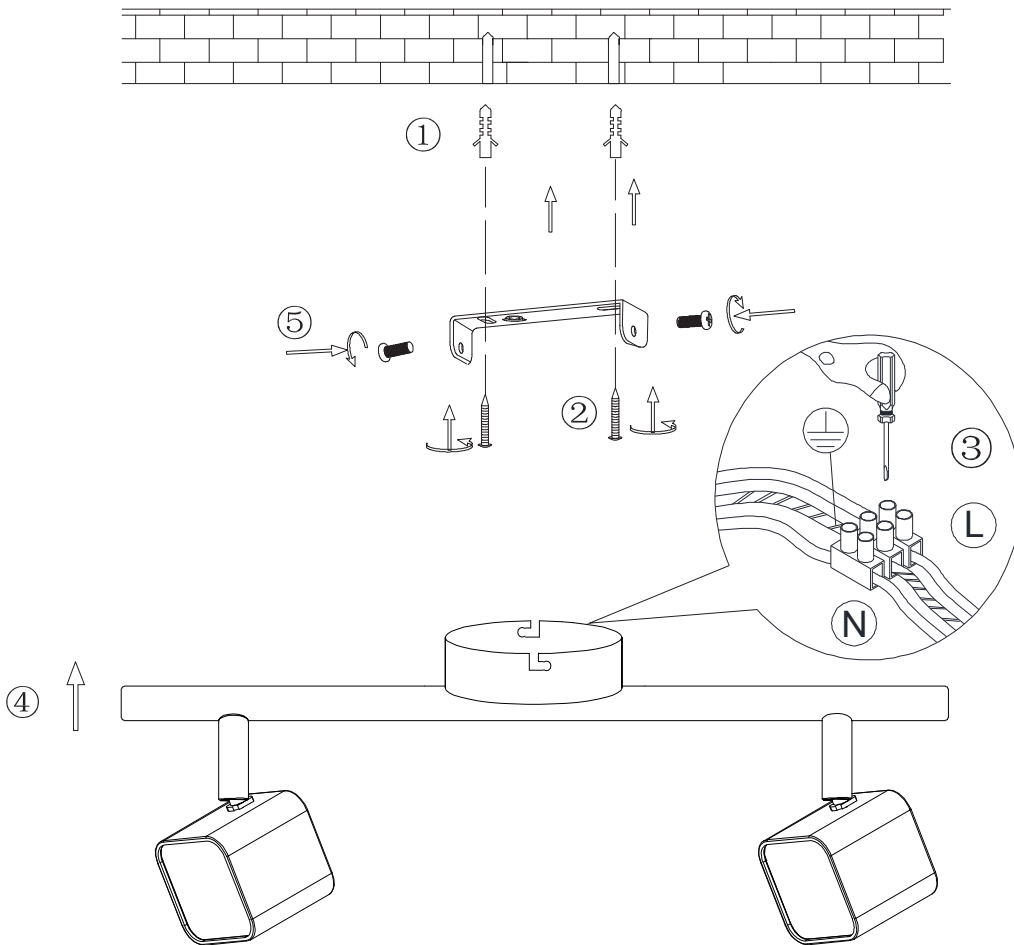


unchangeable LED
2x Max.4W
3000k
RA>80
30000H

220~240V
50HZ



Bart SL 2 Satin 94619



This item contains
unchangeable LED

600	LM
8	W
3000	K
>80	CRI
30000	H
15000	ON/OFF

