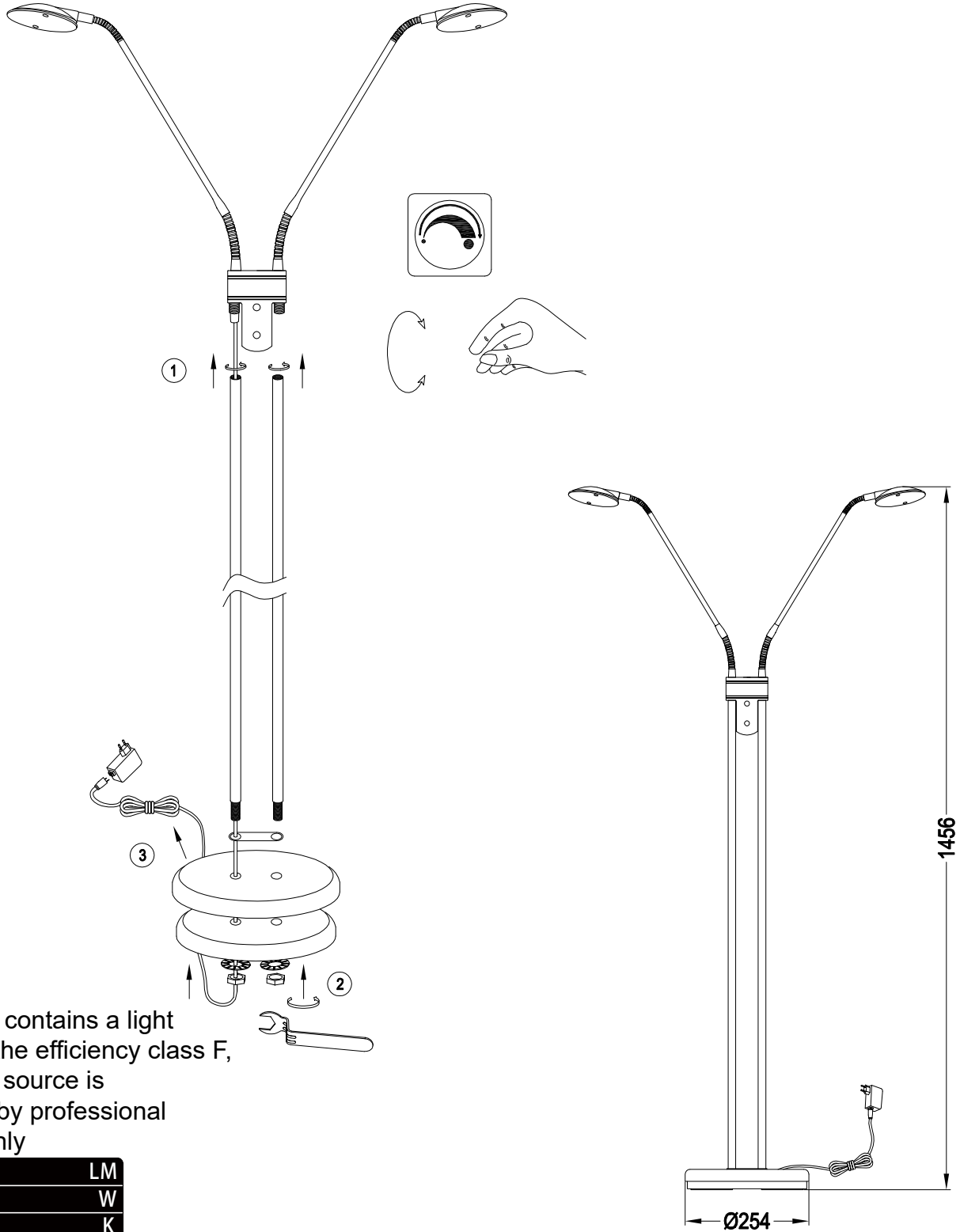


INSTRUCTION MANUAL



Eva FL 2
93833/93834



This product contains a light source with the efficiency class F, and the light source is changeable by professional technician only

1000	LM
2x5	W
3000	K
>80	CRI
20000	H
15000	ON/OFF

FitinQ B.V.

Smaragdweg 52, 5527 LB Hapert, The Netherlands
www.qazqa.nl

QAZQA