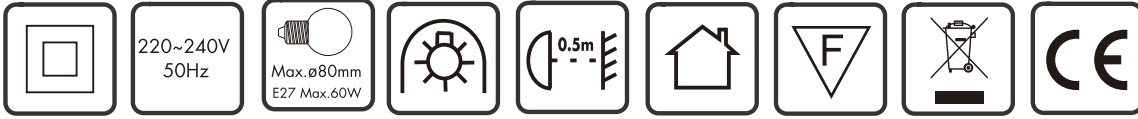
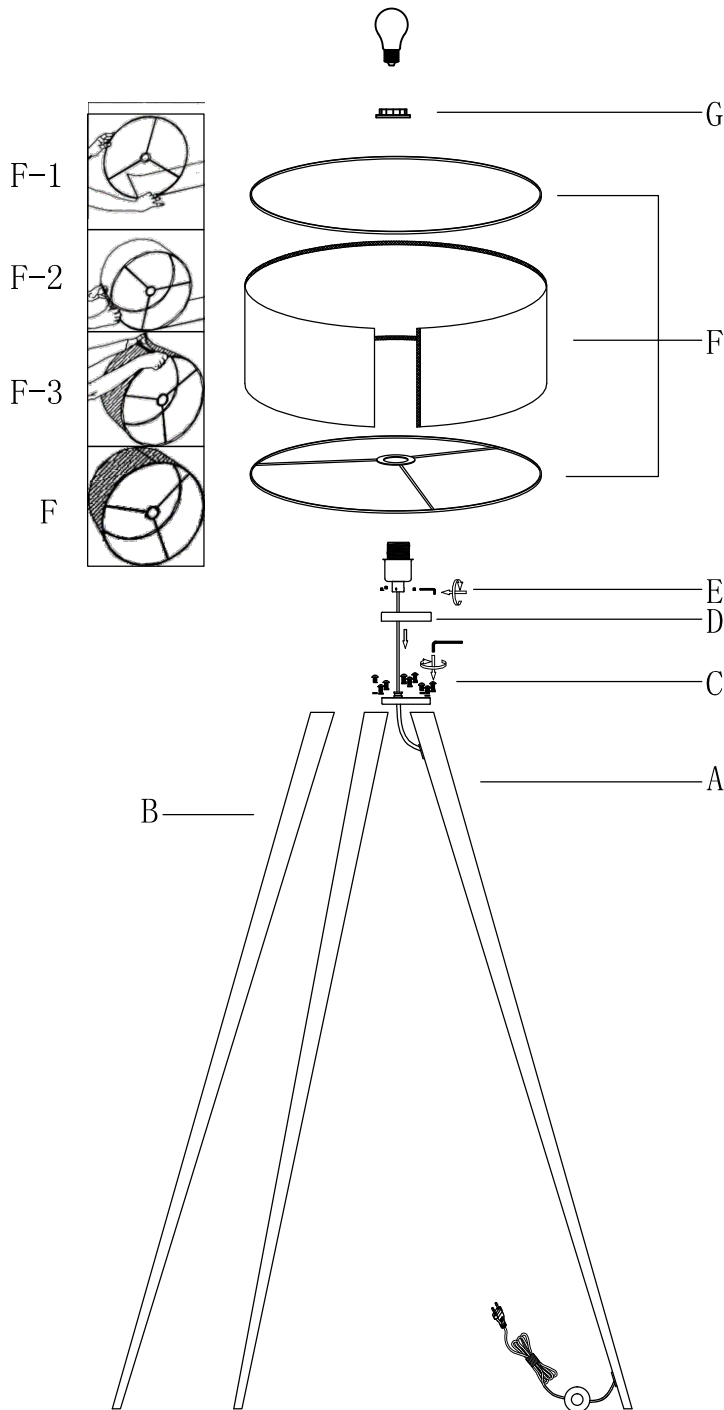


# INSTRUCTION MANUAL



Tripe FL

93701/93702/93703



Overall Sizes:

