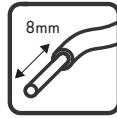
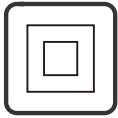
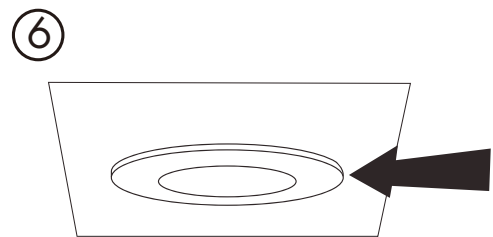
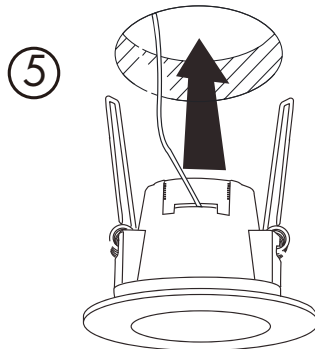
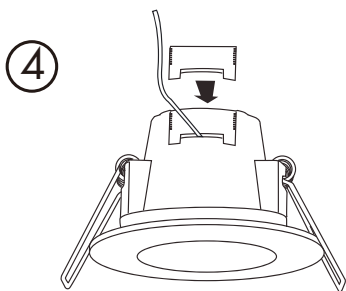
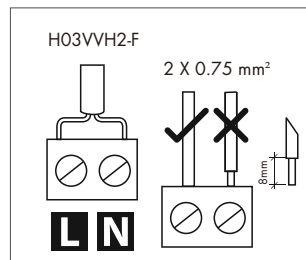
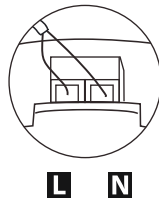
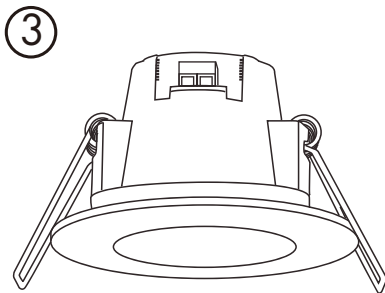
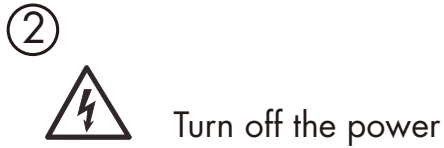
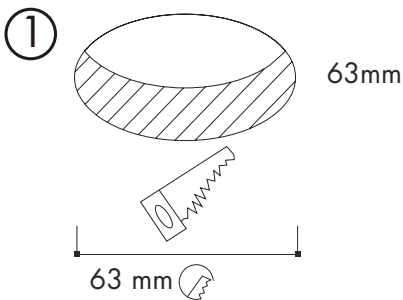


# INSTRUCTION MANUAL



Blanca DL LED 4W 280LM White  
93654  
Blanca DL LED 5W 350LM White  
93655



The connection box is IP20  
After installation, the surface IP class is 65

This item contains  
unchangeable LED

93654:

280	LM
4	W
3000	K
>80	CRI
25000	H
20000	ON/OFF

93655:

350	LM
5	W
3000	K
>80	CRI
25000	H
20000	ON/OFF

Overall Sizes:

