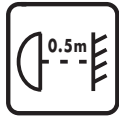
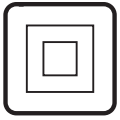
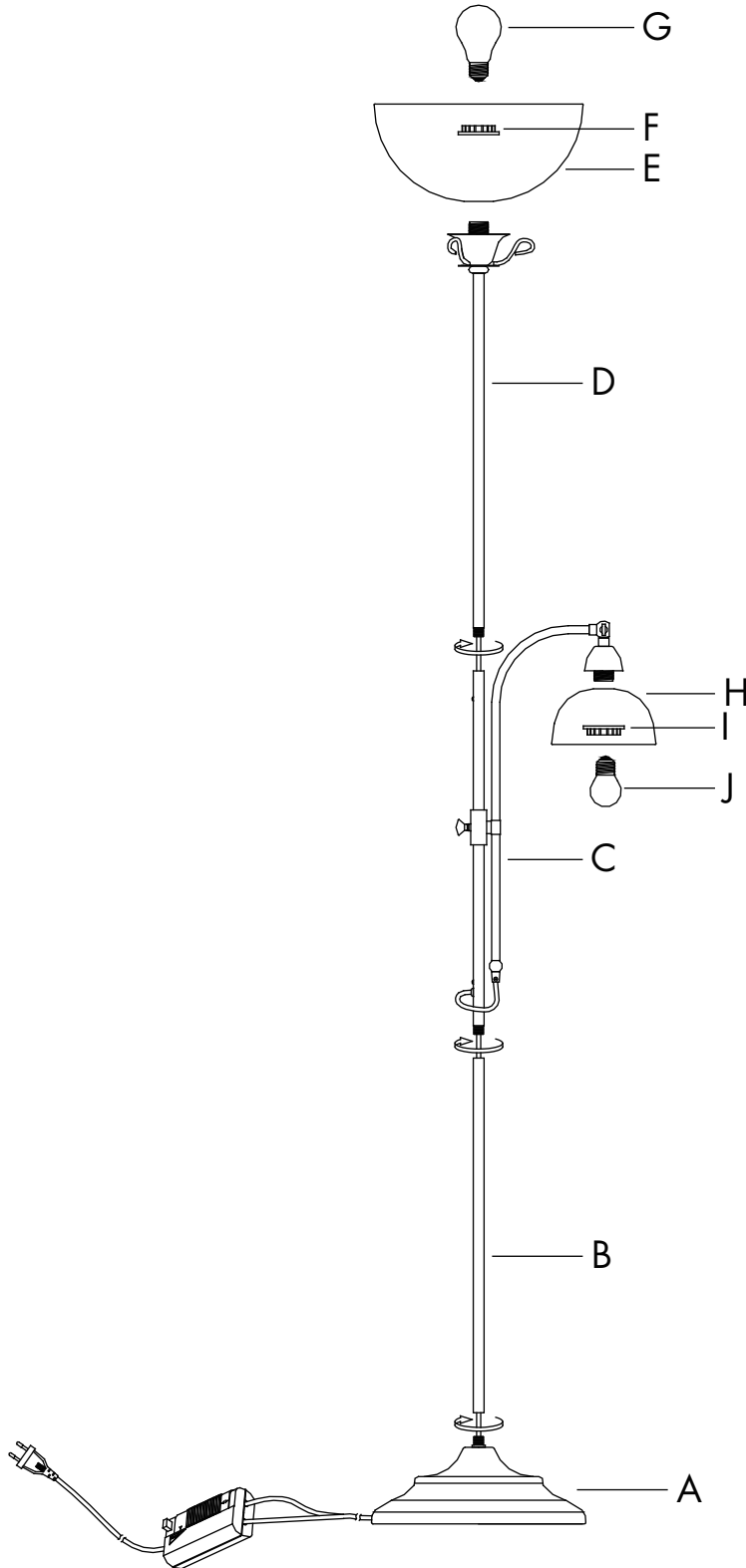


INSTRUCTION MANUAL



Dallas FL 2 Brown
93311



Overall Sizes:

