

INSTRUCTION MANUAL

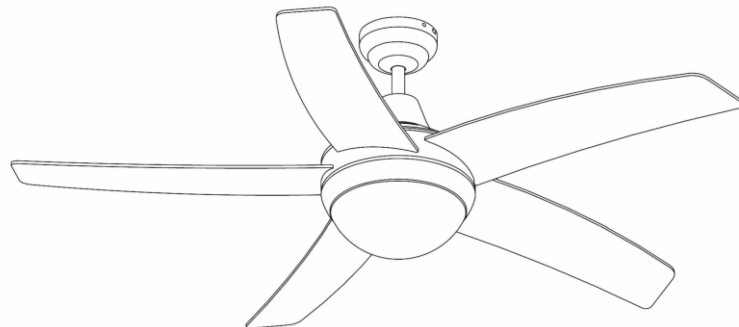
Cool Fan 52

English and Dutch

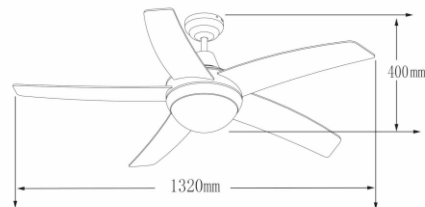
92648/92649/92650/92651/92652

2XE14
MriiAX
40W

220-240V
50HZ



v



QAZQA

WWW.QAZQA.COM



1. Warning symbols



Read the instructions



Caution



Lamp

EN


2. General Safety Instructions



Read this instruction manual thoroughly before using the appliance and save it for future reference and if necessary pass the instruction manual on to a third party.

WARNING: When using electrical appliance, basic safety precautions should always be followed to reduce the risk of fire, electrical shock and personal injury.

1) General

- Before carrying out any work on the fan, disconnect it from the electrical supply!
- Check if the electrical specifications of this appliance are compatible with your installation. The supplier accepts no responsibility for any physical injury or material damage resulting from incorrect use or installation of this fan. If you have the slightest doubt, please contact electrician.
- Unauthorized use and technical modifications to the appliance can lead to danger to life and health.
- This appliance can be used by children aged from 8 years and above and persons with reduced physical, sensory or mental capabilities or lack of experience and knowledge if they have been given supervision or instruction concerning use of the appliance in a safe way and understand the hazards involved. Children shall not play with the appliance. Cleaning and user maintenance shall not be made by children without supervision
- Children should be supervised to ensure that they do not play with the appliance.
- This appliance is for indoor use only.
- Means for disconnection must be incorporated in the fixed wiring in accordance with the wiring rules.
- Never install the appliance in a moist or wet room.
- Be careful when working near the rotating blades. The fan should be installed at least a height of 2.3m
- Before pushing the reversible slide switch, it is necessary to stop the action of the blades by turning off the fan
- Don't place your arm or other object in the path of the blades, when the fan is operating.
-  Always maintain the minimum distance between the lamp and any inflammable material (curtains, wall etc), as indicated on the pictogram
- Means for all poles disconnection having a contact separation that provide full disconnection under over voltage category III conditions must be incorporated in the fixed wiring in accordance with national wiring rules.
- Power supply wire from ceiling needs 1.5 sq mm wire
- Regarding the method of the cable connection , how to assembly and the bulb type reference of a luminaire, thanks to refer to the section "INSTALLATION"
- Warning: Before obtaining access to terminals, all supply circuits must be disconnected.

2. Electrical safety

The appliance should be installed by authorized electrician only according to national wiring rules.

3. Specific Safety Rules

The fan is to be installed so that the blades are more than 2.3 m above the floor

4. Environmental protection

CAUTION!

Electrical products must not be thrown out with domestic waste. They must be taken to a communal collecting point for environmentally friendly disposal in accordance with local regulations. Contact your local authorities or stockist for advice on recycling. The packaging material is recyclable. Dispose of the packaging in an environmentally friendly manner and make it available for the recyclable material collection-service.



EN

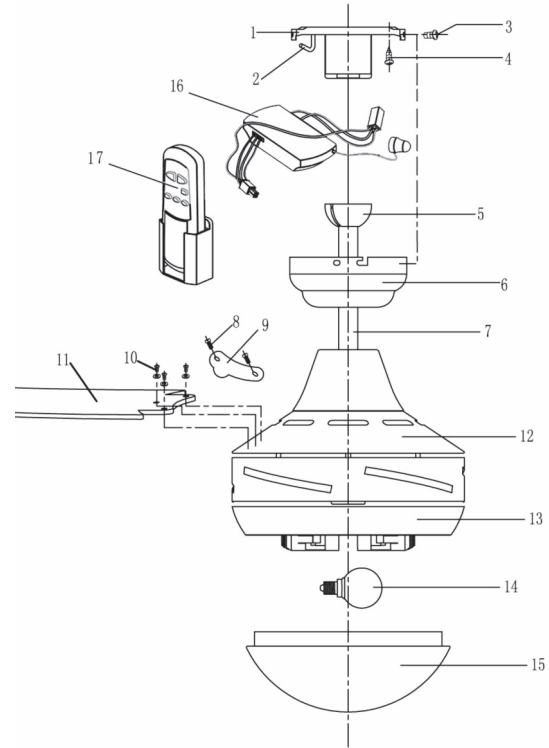
5. Appliance specifications

TECHNICAL CHARACTERISTICS	
Rated voltage	220-240 V
Rated frequency	50 Hz
Rated wattage	60 W
Bulb rating	E14 2x40W Max.
Ambient operating temperature	25 °C
Protection class	I
IP number	IPX0
Protective shields	N/A

6. The ceiling fan (element)

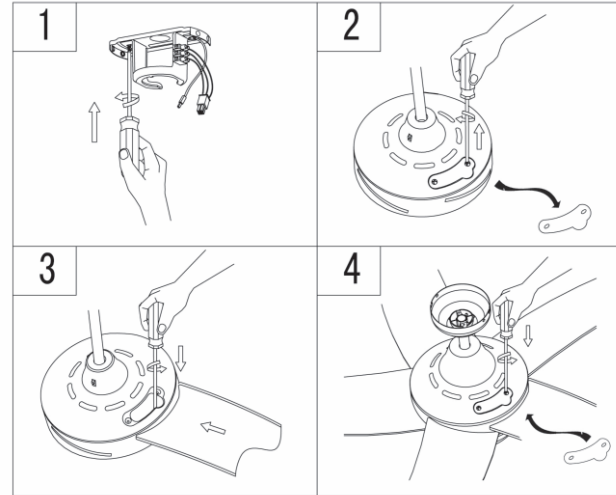
PARTS DESCRIPTION

1. MOUNTING BRACKET
2. J HOOK (FOR TEMPORARY HANG UP THE FAN WHEN WIRING CONNECTION)
3. SCREWS
4. SCREWS
5. HANGER BALL
6. UPPER CANOPY
7. DOWNROD
8. SCREW
9. RECTANGULAR COVER
10. SCREWS
11. BLADE
12. UPPER HOUSING
13. LIGHT PLATE
14. BULB(not included)
15. GLASS
16. Remote Control Receiver
17. Remote Control Transmitter



7. Installation of the ceiling fan

1. Install the mounting bracket by screw as Fig.1 show it(Fig.1)
2. Remove the 2 screws from the rectangular cover on the motor housing and remove the cover(Fig 2)
3. Insert the blades through the slots around the motor (Fig3)
4. Align the blade with the three holes, and secure the three screws through the opening. Tighten all blade screw evenly and get the rectangular cover secured by screws (Fig 4)



5. Make sure the wiring connection by quick plug correctly, if you are not sure, pls consult qualified electrician (Fig.5)

Black +Brown wire
Blue wire

"L"
"N"

Green & yellow wire

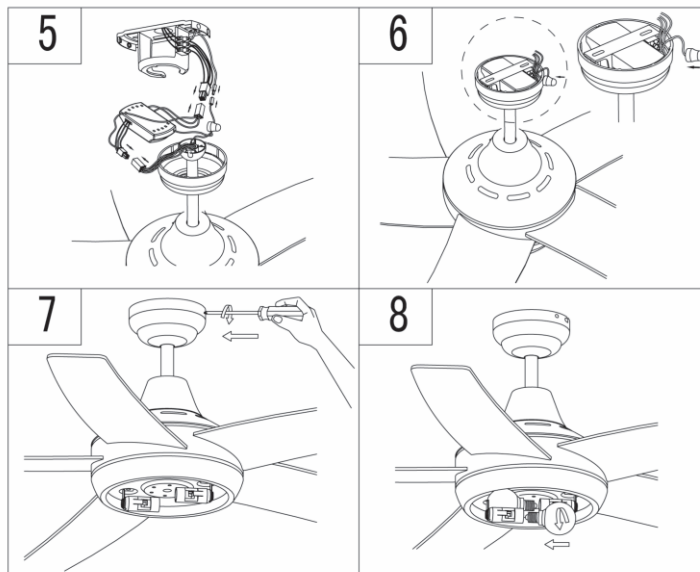


The earth wire must longer than Live wire and Neutral wire

6. Hang up the fan and assembly the mounting bracket with the motor set by 4 side screws (Fig 6)

7. Insert the len into the receiver and connect the supply wires of the receiver (Fig7)

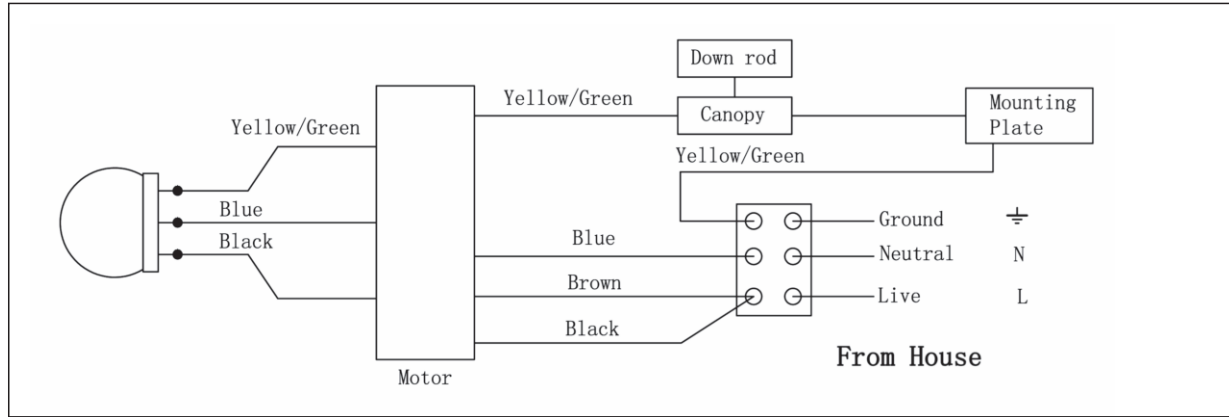
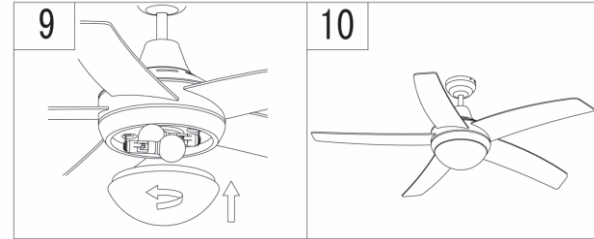
8. Install the bulb (not included)(Fig 8)



9. Install the glass (Fig 9)





10. Now, the fan is completed

(Fig10)



If the fan or light kit is PARTIALLY pre-assembled, you can skip the assembly procedures to next step

8. How to use

- it is a remote control fan
- you push speed button  for low speed;  for med speed ,  for Hi speed, 0 for OFF
- For  logo button, it is light ON /OFF
- Direction switch on the fan 's upper housing
- **Left /Up** for summer make the air movement directly from ceiling
- **Right/Down** for winter, to circulate the warm air generated by heater to floor



9. Disconnect from mains before maintenance or cleaning.

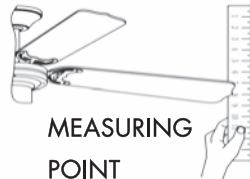
Do not use a wet sponge to clean the appliance.

1. Before conducting any cleaning or maintenance work, disconnect the power from the electrical supply and wait until lamp cools down
2. No abrasive products, solvents, detergent or any other liquid may be used to clean the fan or lamp
3. Be sure the power is off when you clean the fan
4. Don't clean the motor, switch house and other electric parts of the fan with water in order to avoid short circuit

11. Trouble shooting

TROUBLE	PROBABLE CAUSES	SUGGESTED REMEDY
1. Fan will not start	A/ Fuse or circuit breaker blown. B/ Loose power line connections to the fan. C/ Speed controller not in correct position.	A/ Check main and branch circuit fuses or circuit breakers. B/ Check line wire connections to fan C/ Check speed controller's position.
2. Fan sound noisy	A/ Top canopy touching ceiling. B/ Loose fan blade screws. C/ Ceiling fan not secured against ceiling. D/ Incorrect speed controller.	A/ Lower the upper Canopy from ceiling to ensure minimum 3 mm clearance. B/ Re-tighten all screws on fan blades but never over-tighten. C/ Re-tighten all screws in the hanging bracket or plate. D/ Change the controller to the one supplied.
3. Mechanical Noise	A/ Allow at least for 8 hours settling-in period.	
4. Fan Wobbles	A/ Fan blades are not horizontal to ceiling. B/ Blade screws are loose.	A/ Measure from ceiling to tip of blades, then rotate fan so all blades are checked for equal height from ceiling (not adjustments may be made by slight pressure up or down on blade holders). Make sure all screws are securely fastened.

DYNAMIC BLADE BALANCE KIT YARDSTICK



PREFACE

Your ceiling fan may sometimes have wobble problem when operate due to irregularity in blades or the blade holder. Also, improper assembly in the mounting system may cause some additional problem also bearing crooked. The following procedure to remedy such problem is strongly recommended by us from our past experience in handling the wobble problem.

Dynamic blade balancing kit for ceiling fans

1. **M**ake sure that all blade are firmly screwed into the blade holder
2. **M**ake sure that all blades are firmly secured the flywheel and check pitch of blade holders all must be the same
3. **B**y looking up the fan from below, check and be certain that none of the blade holders are bent so that none of the blade is out of position. A correction can be made by very gently bending the blade holder back into position
4. **B**y the simple use of a household yardstick blade tracking can be checked, out the yardstick up against the ceiling vertically and even with the outside leading edge of a blade. Note the distance of the edges of the blade to the ceiling; carefully turn the blade slowly by hand to check the remaining blades. If blade is not in alignment, the blade holder may be gently bent up or down to be in line with the other blades

If by following all the steps and the wobble problem is not solved, a dynamic balancing need to be done by the use of the balancing kit. Follow the procedure listed below:

- **T**urn the fan on and adjust the speed control (usually high speed) setting to the speed, which creates to greatest wobble.
- **T**urn the fan off; select on blade place the balance clip on it. Halfway between the blade holder and the blade up on the rear edge of the blade.
- **T**urn the fan on, watch to see of the wobble is improved or worse. Then, turn the fan off again and move the clip to another blade and test again. Repeat this process with all blades and then note that blade which is the most improved.
- **M**ove the clip back to the blade, which showed the most improvement. Move the clip inward and outward on this blade and operate the fan to find the position where the clip gives the most improvement
- **N**ext remove the clip and install a balancing weight to the top of the blade along the centerline near the point where the clip was positioned.

Cauton: stay clear of the blades if the clip for any reason is not secured, injury could result

12. Others

Have your product repaired by a qualified person

This electric product is in accordance with the relevant safety requirements. Repairs should only be carried out by qualified persons using original spare parts; otherwise this may result in considerable danger to the user. This appliance can be used by children aged from 8 years and above if they have been given supervision or instruction concerning use of the appliance in a safe way and if they understand the hazards involved. Cleaning and user maintenance shall not be made by children unless they are older than 8 and supervised. Keep the appliance and its cord out of reach of children aged less than 8 years.

Please contact the store which you bought the product for after sale services if question

This appliance can be used by children aged from 8 years and above if they have been given supervision or instruction concerning use of the appliance in a safe way and if they understand the hazards involved. Cleaning and user maintenance shall not be made by children unless they are older than 8 and supervised. Keep the appliance and its cord out of reach of children aged less than 8 years.


Appliances can be used by persons with reduced physical, sensory or mental capabilities or lack of experience and knowledge if they have been given supervision or instruction concerning use of the appliance in a safe way and understand the hazards involved. Children shall not play with the appliance.

Please contact the store which you bought the product for after sale services if question

Information requirements regarding the eco-design			
Description	Symbol	Value	Unit
Maximum fan flow rate	<i>F</i>	120.30	<i>m³/min</i>
Fan power input	<i>P</i>	42.4	<i>W</i>
Service value	<i>SV</i>	2.84	<i>(m³/min)/W</i>
Standby power consumption	<i>PSB</i>	0.23	<i>W</i>
Seasonal electricity consumption	<i>Q</i>	13.83	<i>kWh/a</i>
Fan sound power level	<i>LWA</i>	44.7	<i>dB(A)</i>
Maximum air velocity	<i>c</i>	1.78	<i>m/seg</i>
Measurement standard for service	Regulation N° 206/2012 IEC 60879:1986 EN 50564:2011 EN 60704-2-7:1998 EN 60704-1:2010 [Shall not appear all of these ones, but the same as the ones which are detailed in the ERP test report]		

SAFETY INSTRUCTION

Please study the instruction manual and below information carefully before installing or using this product. Please keep this user manual for further reference

1. The luminaires may only be installed by authorized and qualified technicians according the valid regulations for electrical installation.
2. Maintenance of the luminaires is limited to their surfaces. During maintenance no moisture can come into contact with any areas of the terminal connections or voltage control parts.
3. The electrical supply must be switched off at the outset, preferably by means of a switch in the distribution box, before any installation, maintenance or repair work is undertaken.
4. Exterior lighting must not be installed during rain.
6. Take account of the minimal separation distance from other objects and the room required around the fitting.
7. If in any doubt, consult a professional, taking local installation requirements into account. Some countries stipulate that lighting may be installed only by registered installers.
8. Clamping screws in electrical connections must be adequately tightened. This is particularly the case with 12V low voltage conductors.
9. When replacing a halogen lamp, wait for it to cool, for a minimum of 5 minutes.
10. Clean with a clean, dry cloth or brush, use no solvents or abrasives. Avoid dampness on all electrical components
11. Take account of all available technical information.
12. Take note of the symbols when connecting wires:
N =Neutral **L =Live**  =Earth

13. Meaning of symbols:



For indoor use only, where direct contact with water is impossible



This icon indicates the level of water-proof and dust-proof



Protection Class I: the fitting must be earthed



EN



Protection Class II: the fitting is doubled insulated and does not require earthing



Protection Class III: the fitting is low voltage



Minimum distance from lighted objects (meters)



Only the self-shielded halogen lamp should be used with the luminaire



Strip the wire to the indicated length (mm)



Connect using the specified cable



The luminaire is suitable for direct mounting on normal inflammable surface



The type of lamp and maximum size and wattage indicated in each lighting unit must not be exceed



The armature is designed to work only with the indicated voltage. Different items require different working voltage.



The luminaire can be used in combination with a dimmer



The reference light angle and light space of the luminaire



This luminaire cannot be disposed together with normal domestic waste in standard rubbish can, but you have to bring it to a staging area for electrical waste

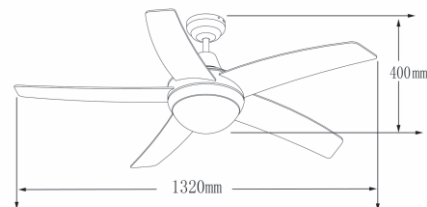
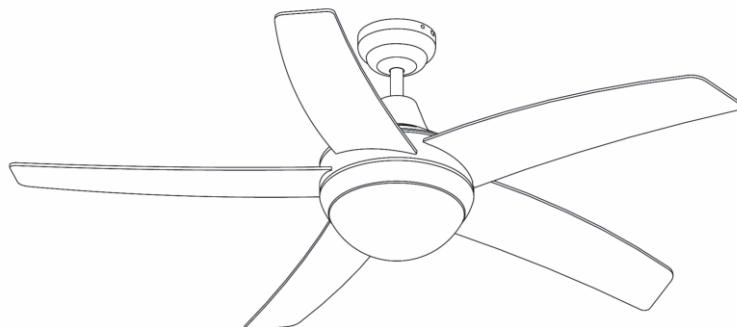
HANDLEIDING

Plafondventilator Cool 52

92648/92649/92650/92651/92652

2XE14
MAX40W

220-240V
50HZ



QAZQA

WWW.QAZQA.COM



Waarschuings symbolen



Lees de instructies



Waarschuwing



Lamp/Lichtbron

Algemene veiligheidsinstructies



Lees dit instructieboekje zorgvuldig door voor gebruik. Bewaar de kassabon/factuur samen met deze handleiding als toekomstige referentie/garantie en geef dit boekje door wanneer nodig aan de derde partij.

WAARSCHUWING: Bij gebruik het van elektrische producten, neem de voorzorgsmaatregelen in acht om kans op vuur, elektrische schokken en persoonlijke verwondingen te voorkomen.

1) Algemeen

- **WAARSCHUWING:** Om het risico van brand en elektrische schokken te voorkomen, schakel je de stroomtoevoer naar de ventilator uit in de hoofdzekeringkast of de hoofdschakelkast voor je begint met het installeren van de ventilator of voor je de ventilator onderhoudt of accessoires installeert.
- Controleer voordat je de ventilator aansluit of het voltage van de ventilator overeenkomt met de netspanning van je woning. De verkoper is niet aansprakelijk voor lichamelijke of materiële schade die te wijten is aan het niet naleven van deze handleiding of wanneer blijkt dat de ventilator niet naar behoren is gemonteerd. Als je enige onzekerheden hebt neem dan contact op met een elektricien.
- Gebruik uitsluitend de door de fabrikant geleverde of aanbevolen onderdelen. Maak geen aanpassingen aan de ventilator. Onverantwoord gebruik en technische modificaties aan de ventilator kunnen leiden tot lichamelijk letsel of schade aan de ventilator.
- De installatiehoogte tussen vloer en bladen moet ten minste 2,30 meter zijn.
- Zorg ervoor dat je voor de ventilator een plaats hebt gekozen die voldoende vrije ruimte biedt zodat de bladen ongehinderd kunnen draaien. Controleer of er geen obstakels in het draaigebied zijn.
- De - / + polen moeten los van elkaar worden bevestigd om overspanning op de bedrading te voorkomen. Zorg ervoor dat alle elektrische aansluitingen voldoen aan de plaatselijke wetgeving en voorschriften inzake elektrische installaties.
- Deze ventilator mag alleen worden gebruikt met minimaal 1,5 mm² installatiedraad.
- Kinderen onder de 8 jaar en personen met een lichamelijke of verstandelijke beperking die niet in staat zijn het apparaat te hanteren zoals in de gebruiksaanwijzing is beschreven, mogen dit apparaat niet gebruiken.

- Laat geen verpakkingsonderdelen (plastic zak, doos en piepschuim) binnen het bereik van kinderen liggen.
- Om de kans op lichamelijk letsel of schade aan de ventilator of andere voorwerpen te vermijden, dien je voorzichtig te zijn bij het werken aan of in de buurt van de ventilator en bij het schoonmaken ervan. Schoonmaken en onderhoud van de ventilator mag niet worden gedaan door kinderen zonder toezicht.
- Gebruik geen water of agressieve reinigingsmiddelen voor het schoonmaken van de ventilator en de bladen. Een droge stofdoek of licht bevochtigde doek volstaat meestal voor het schoonmaken.
- Gebruik deze ventilator niet in dezelfde ruimte en op hetzelfde ogenblik met een gasvuur of vuur met andere brandstof, tenzij het rookkanaal onder deze omstandigheden door een bevoegd persoon is getest.
- Deze ventilator is niet geschikt voor gebruik in de badkamer of in andere ruimtes waarin de ventilator in contact met water kan komen.
- Gebruik de knop voor het omkeren van de draairichting niet voordat de ventilator volledig tot stilstand is gekomen.
- Steek nooit iets tussen de bladen van de ventilator terwijl ze draaien.
- Vanwege Europese veiligheidsvoorschriften mag de ventilator, indien deze vlak tegen het plafond wordt geïnstalleerd niet opnieuw worden geïnstalleerd met een stang. Als dit wordt geprobeerd, kan dit ernstig letsel veroorzaken.
- Gebruik geen dimmer om de snelheid van de ventilator te regelen.
- Na het voltooiën van de installatie controleer je of alle aansluitingen absoluut veilig en stevig zijn gemonteerd.

2. Elektriciteits veiligheid

De installatie van de ventilator moet worden uitgevoerd door iemand die over de benodigde kennis beschikt of door een erkend elektricien volgens de nationale bedrading regels.

3. Specifieke veiligheidsregels

Zorg dat de ventilator minimaal 2.30 meter boven de vloer geïnstraleerd word.

4. Milieubescherming

WAARSCHUWING!

Gooi elektrische producten niet bij het huisvuil. Neem contact op met je gemeente of fabrikant voor advies over het recyclen van de ventilator. Ook het verpakkingsmateriaal is recyclebaar. Lever dit product en het verpakkingsmateriaal in bij het daarvoor bestemde inzamelpunt in je gemeente.

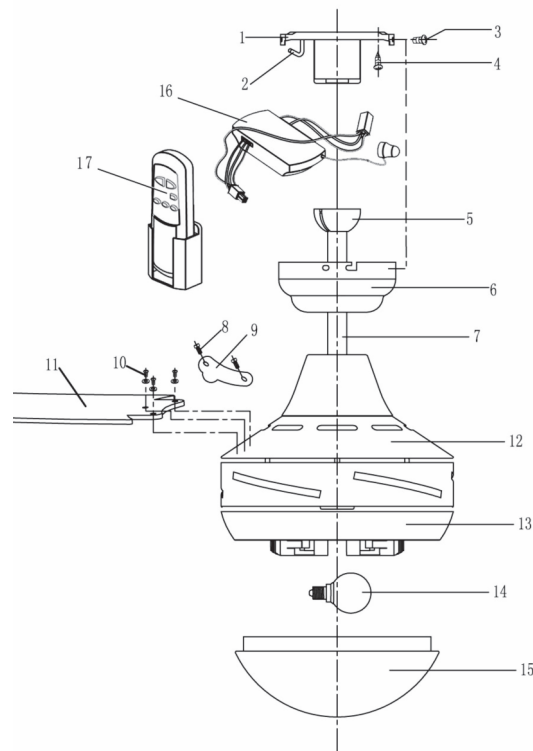
5. Ventilator Specificaties

TECHNISCHE GEGEVENS	
Voltage / Spannings toevoer	220/240V
Frequentie	50HZ
Wattage	60W
Lichtbron	E14 2X40W max
Omgevingstemperatuur	25 °C
Bescherm Klasse	I
IP waarde	IP20
Bescherm Velden	N/A

6. Onderdelen plafondventilator

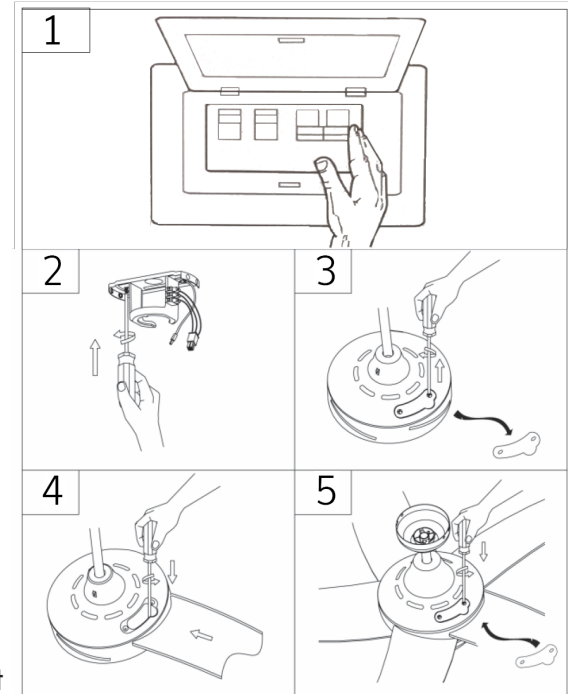
ONDERDELEN BESCHRIJVING

1. Ophangbeugel
2. J-haak (voor het tijdelijk ophangen van de ventilator tijdens het aansluiten van de bedrading)
3. Schroeven
4. Schroeven
5. Bevestigings module
6. Plafondplaat
7. Stalen stang
8. Schroef
9. Rechthoekig afdekplaatje
10. Schroef
11. Ventilator blad
12. Top behuizing
13. Lichtplaat
14. Lichtbron E14 (niet inclusief)
15. Glazen kap
16. Afstandsbediening ontvanger
17. Afstandsbediening



7. Installatie van de plafondventilator

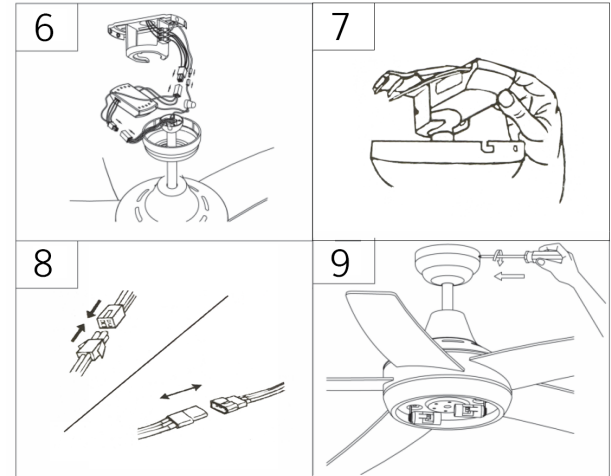
1. Pak de ventilator uit en controleer de inhoud. Schakel voor installatie de stroomtoevoer uit om elektrische schokken te voorkomen.
2. Installeer de montage beugel met schroeven, zoals afgebeeld in fig.2
3. Verwijder de 2 schroeven van het rechthoekig afdekplaatje op de motor behuizing en verwijder het afdekplaatje, fig. 3
4. Installeer de bladen door de openingen in de motorbehuizing, fig. 4
5. Lijn de bladen uit met de schroefgaten, en maak de drie schroeven vast door de openingen. Zorg dat de schroeven stevig aangedraaid zijn zodat alle bladen stabiel gemonteerd zijn. Bevestig daarna het rechthoekig afdekplaatje terug, fig. 5



6. Bevestig de ventilator aan de J-haak. En verbind de bedrading op een veilige en correcte manier. Wees er zeker van dat alle draden goed bevestigd zijn binnen het kroonsteentje. Bij onzekerheid neem contact op met een electricien, fig 6
- A. Zwart + Bruine draad (schakel + fase) "L"
 - B. Blauwe draad (nul) "N"
 - C. Groen/gele draad (aarde)

De aarde draad moet langer zijn dan de fase, schakel en nul draad

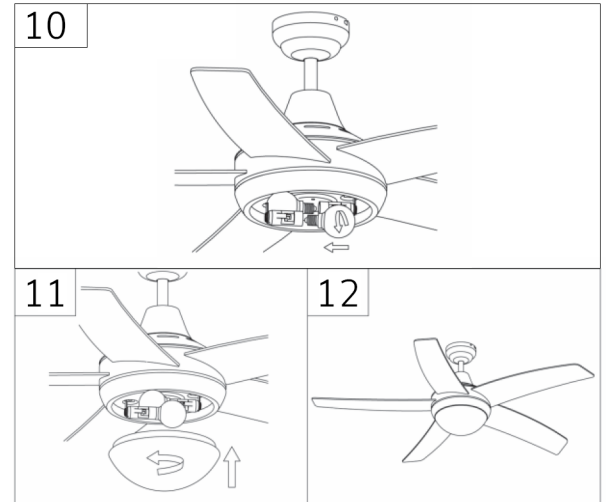
7. Schuif de ontvanger tussen de ophangbeugel. Verbind de bedrading van de ontvanger. Plaats de plafondplaat en bevestig deze aan de montage beugel, fig. 7 en 8
8. Haal de ventilator van de J-Haak en bevestig deze aan de bevestigingsplaat. Gebruik hiervoor de 4 schroeven, fig.9



9. Installeer de lichtbronnen (niet incl.) fig. 10

10. Installeer de glazen kap, zorg dat je deze recht in de behuizing plaatst. In de glazen kap zitten inkepingen die in behuizing van de ventilator past, schuif deze daar overheen, dan kun je de glazen kap vast draaien, fig 11.

14. Nu is de ventilator gemonteerd, fig. 12



8. Gebruiksaanwijzing


Het is een ventilator die bediend wordt met een afstandsbediening. Dit zijn de standen van de ventilator.

 Lage snelheid

 Medium snelheid

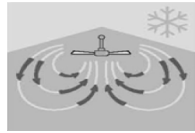
 Hoge snelheid

En 0 of 'Off' om de ventilator uit te schakelen

Voor het gebruik van de lamp gebruik je de knop met  on/off (aan/uit)

De knop voor de zomer/winterstand zit op de bovenkant van de behuizing.

Door deze knop naar links/omhoog of rechts/omlaag te schuiven kies je voor de gewenste stand.



Rechts/omlaag - winterstand: Circuleert warme lucht vanaf het plafond naar beneden.



Links/omhoog - zomerstand: Circuleert de koude lucht vanaf de vloer naar boven.

9. Onderhoud

Voor je enig onderhoud uitvoert, schakel je de lamp uit en de stroomtoevoer uit.

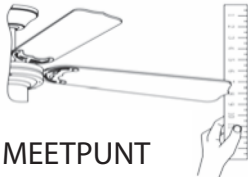
- Laat de lichtbron afkoelen
- Gebruik geen natte spons
- Gebruik geen schuur, hardnekkige reinigingsmiddelen of andere vloeistoffen om de ventilator te reinigen.
- Maak de motor, motorbehuizing en andere elektrische delen van de ventilator niet schoon met water ivm kortsluiting.

10. Probleem/oorzaak/oplossing

PROBLEEM	OORZAAK	OPLOSSING
1. Ventilator start niet	<ul style="list-style-type: none"> A - Het elektriciteitscircuit is opgeblazen B - Losse draad connectie naar de ventilator C - De snelheidsregelaar niet in de juiste positie 	<ul style="list-style-type: none"> A - Controleer het circuit B - Controleer de draad connecties naar de ventilator C - Controleer de positie snelheidsregelaar
2. Ventilator maakt geluid	<ul style="list-style-type: none"> A - De plafondplaat raakt het plafond B - Losse schroeven in de ventilator bladen C - Ventilator is niet juist aan het plafond bevestigd D - Teveel geluid van de snelheidsregelaar 	<ul style="list-style-type: none"> A - Verlaag de plafondplaat, met een minimaal 3mm speling tussen plafond en plafondplaat B - Draai alle schroeven aan, maar nooit te strak. C - Draai alle schroeven aan in de ophanging D - Gebruik de snelheidsregelaar die bij de ventilator geleverd word
3. Mechanisch geluid	<ul style="list-style-type: none"> A - Gebruik minimaal 8 uur om de ventilator te laten acclimatiseren 	
4. De ventilator wiebelt	<ul style="list-style-type: none"> A - De bladen staan niet horizontaal met het plafond B - De schroeven in de bladen zijn los 	<ul style="list-style-type: none"> A - Meet vanaf het plafond tot aan de tip van de bladen, draai de ventilator om de bladen te controleren op egale hoogte (aanpassingen kunnen gemaakt worden door een lichte druk toe te passen op of onder de bladen) B - Draai de schroeven aan

BALANSSET

LINIAAL



MEETPUNT

11. Gebruik van balans set

Je plafond ventilator kan soms een balansprobleem hebben en wiebelen door een oneffenheid in de bladen of bladhouder. Ook kan het zo zijn dat de lagers van de plafondbevestiging niet recht zijn. Gebruik de volgende procedure die door ons geadviseerd wordt om het probleem op te lossen.

Dynamisch blad balanseer set voor plafondventilators

1. Zorg ervoor dat alle schroeven vast in de bladen zitten
2. Zorg ervoor dat de bladen goed vast zitten in de bladhouders endat ze allemaal hetzelfde zijn
3. Als je van onderaf de ventilator bekijkt, controleer of geen van de bladhouders gebogen is zodat geen van de bladen in de verkeerde positie zit. Een correctie kun je maken door zacht en zorgvuldig druk uit te oefenen op de bladhouder en deze voorzichtig in positie te buigen
4. Door simpel gebruik van een liniaal kun je, door de liniaal tegen het plafond te houden, zien of de bladen op dezelfde hoogte hangen, draai met de handen de ventilator rond zodat je alle bladen kunt controleren en eventueel aanpassingen kunt maken door de bladhouder voorzichtig in de juiste positie te drukken

Als deze stappen je wiebel niet verholpen hebben kun je gebruik maken van de balanseer set en de bladen balanceren. Volg de volgende instructies.

- Zet de ventilator aan, pas de snelheid aan naar de stand die de wiebel creëert
 - Zet dan de ventilator uit, kies een blad en zet de balance clip halfweg op het blad
 - Zet de ventilator weer aan, kijk of het wiebelen beter of verergerd is, mocht dit niet verbeterd zijn verplaatst je de clip naar een ander blad en test je dit nog eens. Dit herhaal je, indien nodig, tot je alle bladen hebt getest.
 - Als je het blad hebt gevonden dat de meeste verbetering geeft, zet je de clip, of meer naar voor of meer naar achter en test je waar de verbetering zit.
 - Verwijder de clip en plaats op het punt waar de clip zat een gewicht.
- Let op: plaats of verwijder de clip niet als de ventilator aan staat.

12. Overige

Dit product is akkoord met de relevante veiligheidseisen. Reparatie moeten uitgevoerd worden door gekwalificeerde personen die gebruik maken van originele losse onderdelen. Dit kan anders resulteren tot een gevaar voor de gebruiker.

INFORMATIE EISEN VOLGENS HET ECO-DESIGN			
OMSCHRIJVING	SYMBOOL	WAARDE	EENHEID
Maximale ventilator capaciteit	F	120.30	m ³ /min
Opgenomen vermogen	P	42.4	W
Bedrijfswaarde	SV	2.84	(m ³ /min)/W
Standby stroomverbruik	PSB	0.23	W
Seizoens stroomverbruik	Q	13.83	kWh/a
Decibel	LWA	44.7	dB(A)
Maximale lichtsnelheid	c	1.78	m/seg
Standaard metingen voor service	Regulation N° 206/2012 IEC 60879:1986 EN 50564:2011 EN 60704-2-7:1998 EN 60704-1:2010 (Shall not appear all of these ones, but the same as the ones which are detailed in the ERP test report)		
Rotatiesnelheid	Hi 160 p/min	Med 105 p/min	Low 52 p/min