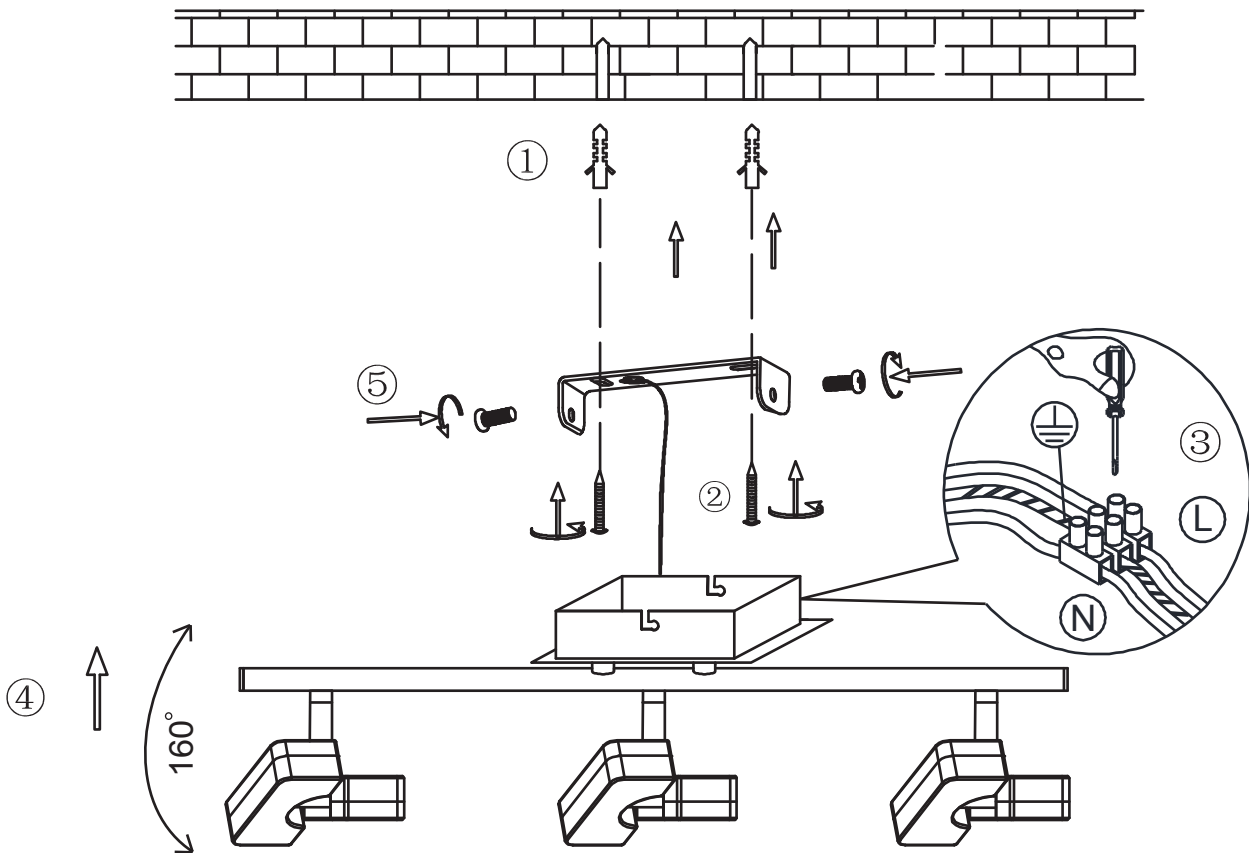


INSTRUCTION MANUAL

Twin SL 3 Satin
92586



unchang eable LED
3x Max.6W
3000k
RA>80
20000H

220~240V
50HZ

