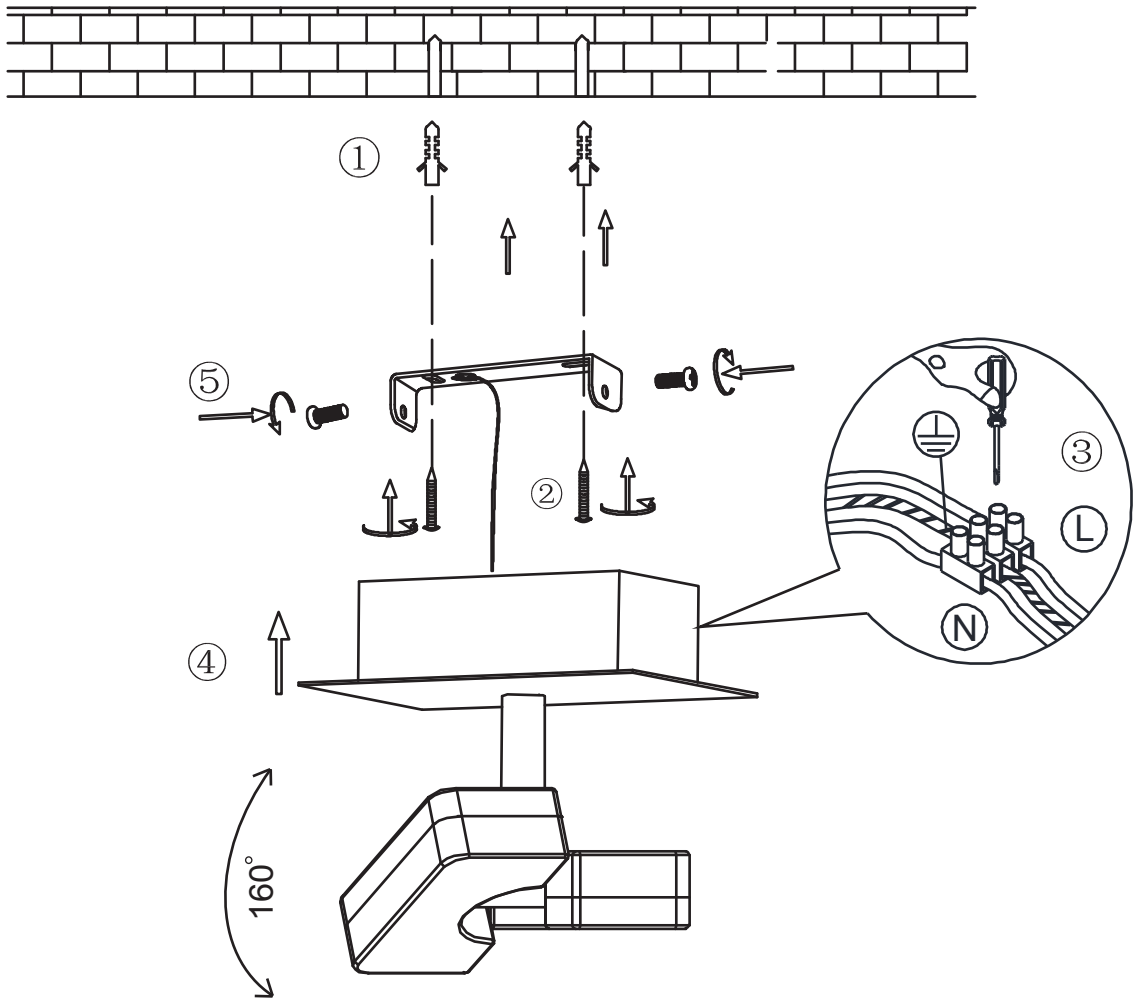


INSTRUCTION MANUAL

Twin SL 1 Satin
92584



unchang eable LED
Max.6W
3000k
RA>80
20000H

220~240V
50HZ



GUARANTEE
2 YEARS

