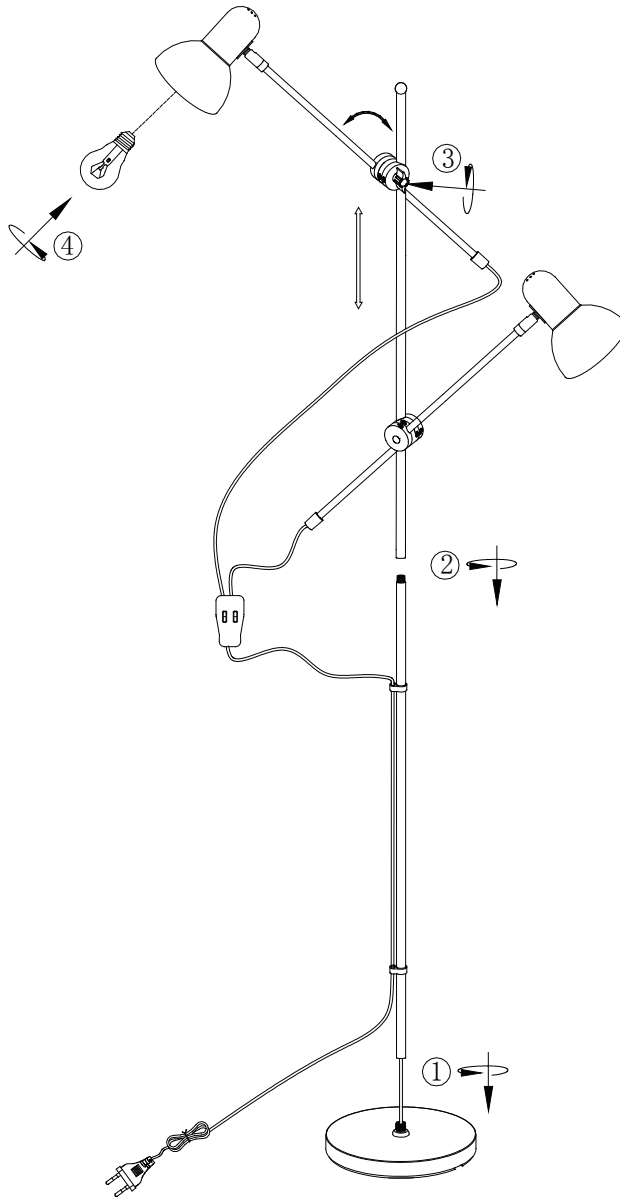


INSTRUCTION MANUAL

Joe FL 2 Copper
92378



220~240V
50~60Hz

