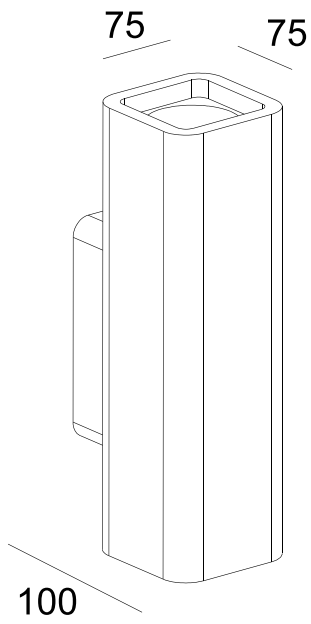


INSTRUCTION MANUAL

Box WL Gipsy GU10
92365



255

100

