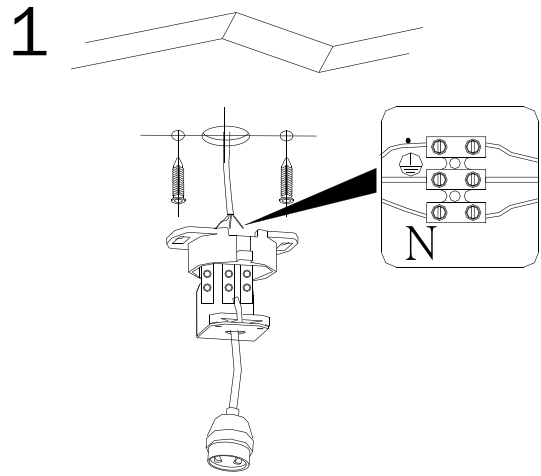
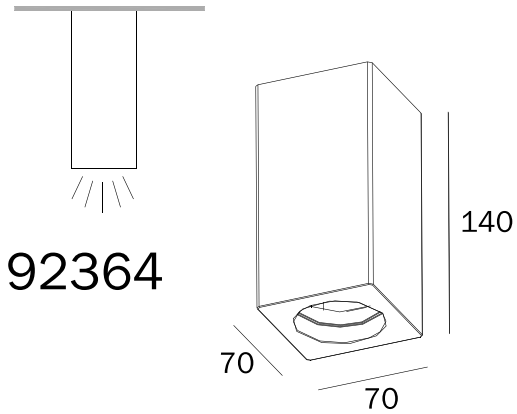


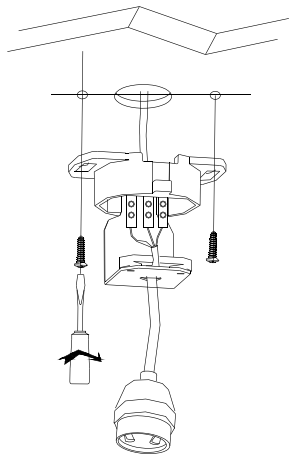
INSTRUCTION MANUAL



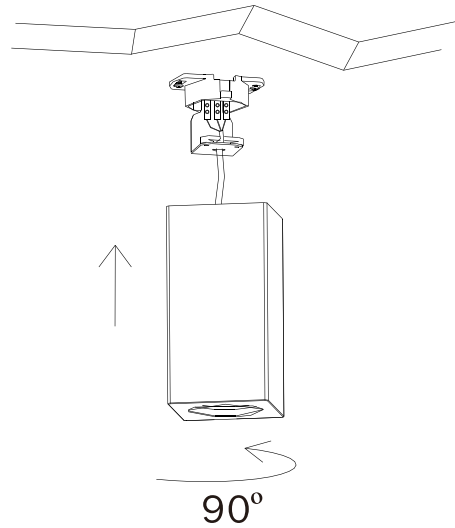
Box SL M Gipsy GU10
92364



2



3



4

