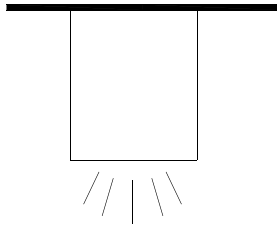


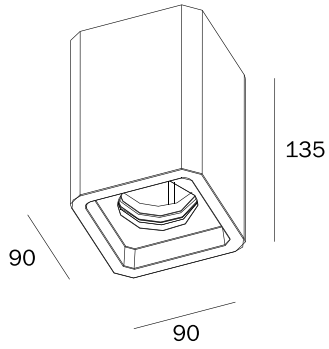
INSTRUCTION MANUAL



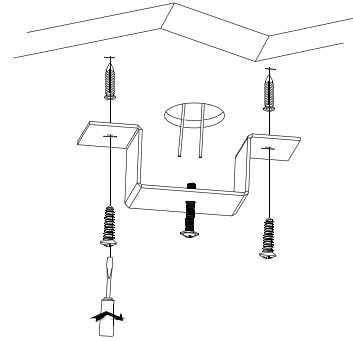
Box SL L Gipsy GU10
92362



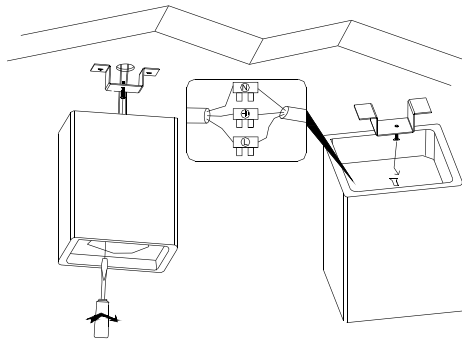
92362



1

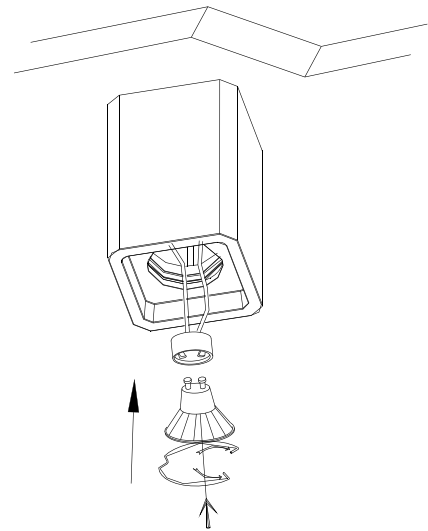


2



Making sure the fixture is fixed firmly,
then stop locking screws.

3



4

