

INSTRUCTION MANUAL

New York WL Dark Grey
92303

► INTRODUCTION

The Lantern Light has a built-in PIR (Passive Infra Red) sensing device which continuously scans a preset zone and automatically switches the light on when it detects movement in that area. Once movement is detected within the range of the sensor the light will switch on automatically to illuminate pathways, steps, patios, porches, or whatever area you have selected to light for reasons of safety, convenience or security. While there is movement within range of the unit the light will remain on.

During the day, the solar panel converts sunlight into electricity to recharge the batteries for LED light. This Lantern Light has an adjustable TIME dial that allows light duration of up to 90 seconds. When the batteries are fully charged, it is estimated that LED can work up to max. 60 times when TIME be set to 1.5 minutes, totally 1.5 hours.

This unit includes 3 x 1.2V AA 900mAh Ni-MH Rechargeable battery batteries, which need to be replaced after 2-years use, because the charging ability will decrease.

► HAVE YOUR SENSOR WORKED WELL

To have sensor worked well, we suggest you take the following points into account:

Unchangeable LED
Max. 4x0.5W LED
3000K±300K
10000H

3 x 1.2V AA
900mAh
Ni-MH
Rechargeable
battery



IP44

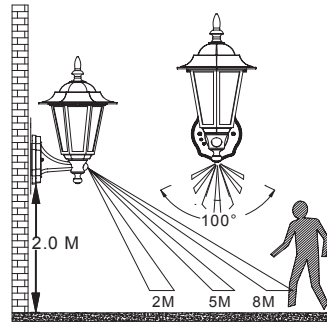


Fig. 1(A) Detection Range

■ Ideally the Lantern Light should be mounted 1.8 to 2.5 meters (6 to 8ft) above the area to be scanned (refer to Fig. 1A).

■ To avoid damage to unit, do not aim the sensor towards the sun.

■ To avoid nuisance triggering, the sensor should be directed away from heat sources such as barbecues, Air-conditioners, other outside lighting, moving cars and flue vents.

■ To avoid nuisance triggering, keeping away from the area of strong electromagnetic disturbance.

■ Do not aim towards reflective surfaces such as smooth white walls, swimming pools, etc...

■ The sensor scanning specifications (approx. 6 meters at 100°- round) may vary slightly depending on the mounting height and location. The detection range of the unit may also alter with temperature change. Before selecting a place to install your lantern light you should note that movement across the scan area is more effective than movement directly toward or away from the sensor (refer Fig. 1B). If movement is made walking directly towards or away from the sensor and not across, the apparent detection range will be substantially reduced. (refer to Fig. 1C)

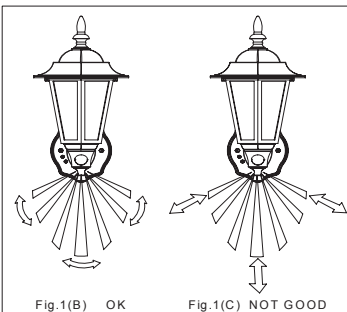


Fig. 1(B) OK Fig. 1(C) NOT GOOD

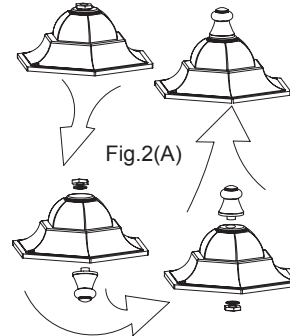


Fig. 2(A)

► CHOOSE LOCATION FOR YOUR LIGHT

■ This light's power comes from sunlight. For max sun exposure and longer light output, place the solar panel, connecting to the light, in a position that receives at least 4-6 hours direct sunlight per day.

(refer to Fig. 1D) Ideally, the solar panel should be adjusted to the angle facing the sun. Placing the solar panel in a shaded location will not allow the batteries to be charged fully. It will reduce the number of hours the light operates per night.

■ This Solar Light is ideal for areas where electricity is not available, including driveways, garages, entrance doors, backyard sheds and other remote areas, for safety and convenience around your home.

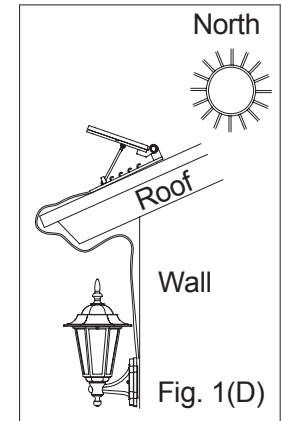
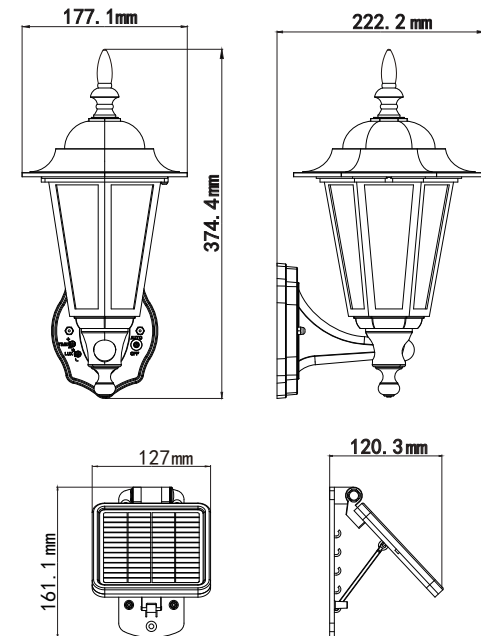
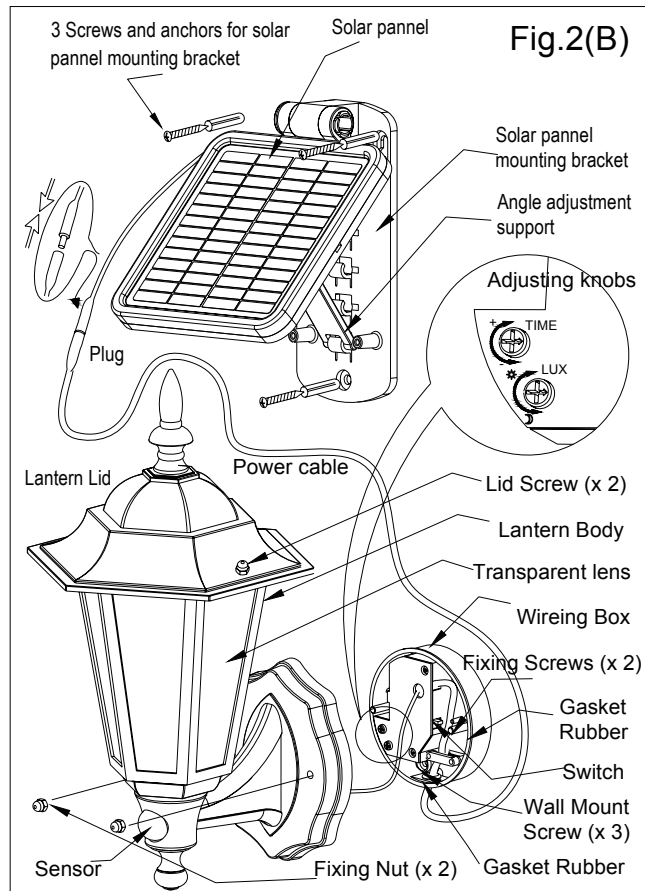


Fig. 1(D)



■ The sensor has a build-in photocell which making the light only works from dusk to dawn. In choosing a location for your light, ensure that the sensor is not placed near night time light sources such as porch lighting or sheet lighting which will affect the photocell.

► **INSTALL THE LIGHT AND SOLAR PANNEL**



1. Re-fix the lantern lid as Fig-2(A) shown and screw it on the lantern's main body by 2 lid screws.
2. Mount the solar panel and lantern light's wiring box on the position chosen as advices above by the anchors and screws included in this package. (refer to Fig. 2B)
3. Fix the lantern body onto the wiring box by fixing nuts.

NOTE: DO NOT INVERT THE LANTERN.

4. Connect the solar panel to your light by plugging the 2 power cords together with the plug and socket in a tight connection.

► **BEFORE USE FOR THE FIRST TIME**

■ Ensure the power switch in wiring box of your light is at the OFF position. In this position the solar cell will charge the batteries without activating the light.

■ Leave the switch "off" for up to 2 days and make sure the solar panel is placed in direct sunlight before the first use. This gives the batteries in your Solar Light has a full-charge for motion sensor adjustment and normal operation. It is good for the batteries.

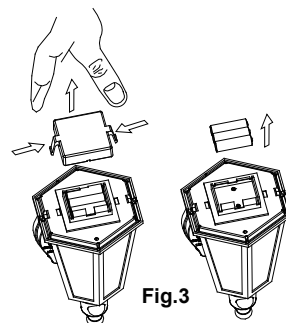
■ After the initial full-charging, shift the switch to "ON" position. Now, your light is ready for serve.

► **UNDERSTAND THE CONTROLS**

ADJUSTING THE DURATION TIME: The length light-on time after activation can be adjusted from (10±5) seconds to (90±15) seconds. Rotating the TIME knob + to - will reduce the duration time.

Note: Once the light has been triggered by the PIR sensor any subsequent detection will renew the timed period again from the beginning.

Adjusting the lux control level: The Lux control module has a built-in sensing device (photocell) that detects daylight and darkness. The (*) position denotes that load can work at day and night, and the (D) position only work at night. You can set to operate the unit at the desired level by adjusting the LUX knob.



► **REPLACE THE RECHARGEABLE BATTERIES**

(refer to Fig. 3)

After 2 years, the charging ability of the batteries decrease, they may be replaced by AA NIMH 1.2V 900mAh rechargeable batteries. Follow the replacing steps in Fig.3':

1. Remove the lantern lid by unscrew the lid screws.
2. Remove the battery plate.
3. Replace the batteries with right electrode direction
4. Re-fix the battery plate and lantern lid back onto their positions.

GENERAL ELECTRICAL AND SAFETY WARING

1. Do not cut the power cord. Stop use if the wire becomes frayed or broken.
2. Do not immerse the Solar Light or solar panel in liquid.
3. Do not use any other solar panel other than the one provided with this unit. This may result in injury or damage to the light and with no warranty.
4. Position the power cord fastened and not moving around or result in another hazard (such as tripping)

► **TECHNICAL SPECS:**

- **Battery:** 3x1.2V 900mAh AA NIMH Battery
- **Wattage:** Max.4x0.5 Watt LED
- **Detection range:** 100° (round) and Max. 6 meters
- **Duration time:** 10±5 sec. to 90±15sec.adjustable
- **Weatherproof:** IP44

Do not dispose of batteries in general household trash or into a fire since the batteries may explode. Consult your local regulations for correct disposal of batteries. Do not take apart the batteries since they contain corrosive chemicals.

NOTE: When your light comes to the end of its life or you are to replace it. Please do not simply dispose it with your normal household waste. Check with your retailer or local authority for suitable options.

New regulations encourage the recycling of Waste from Electrical and Electronic Equipment (European "WEEE Directive" effective August 2005).

