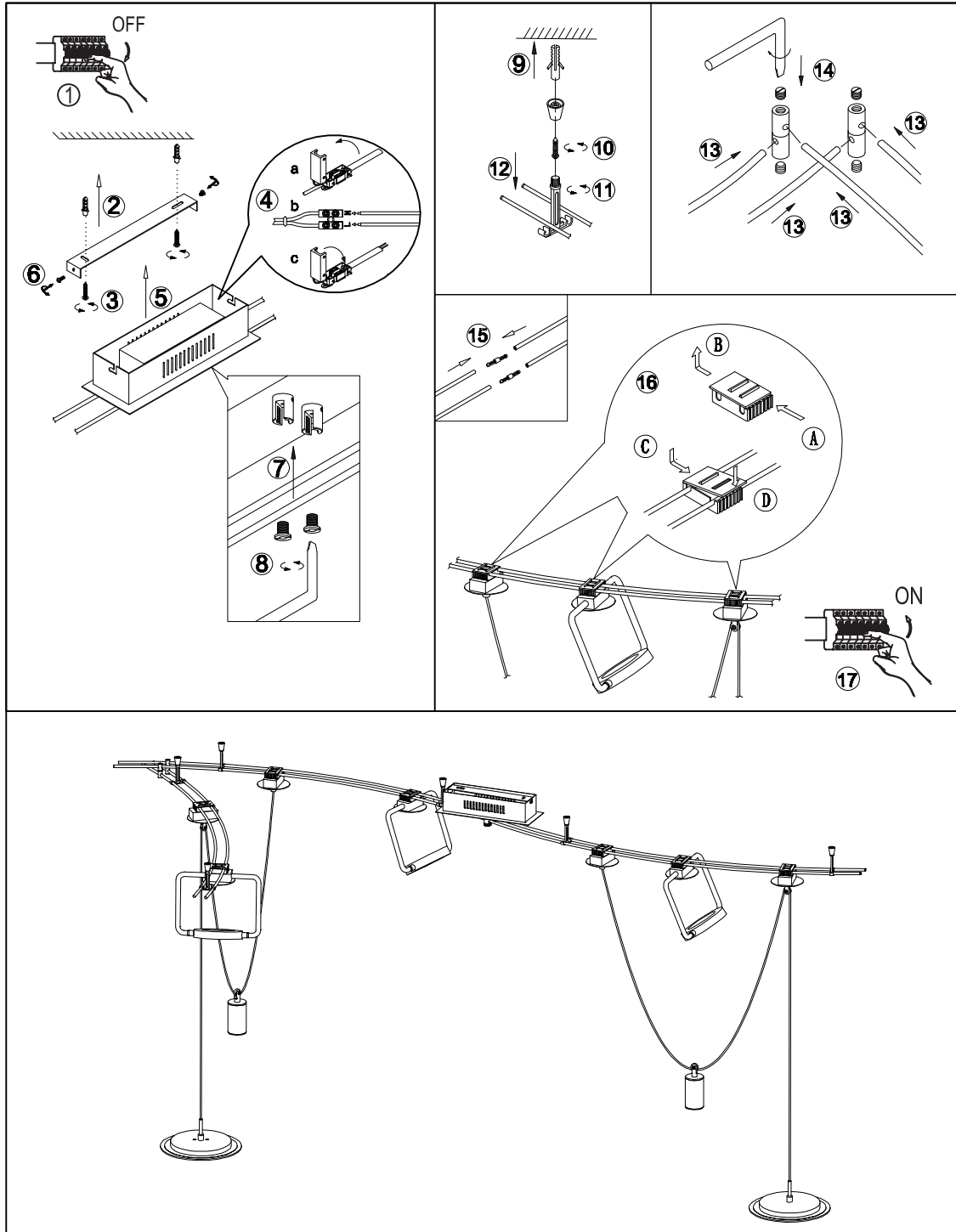


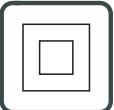
INSTRUCTION MANUAL

Chaos CL Satin
92300



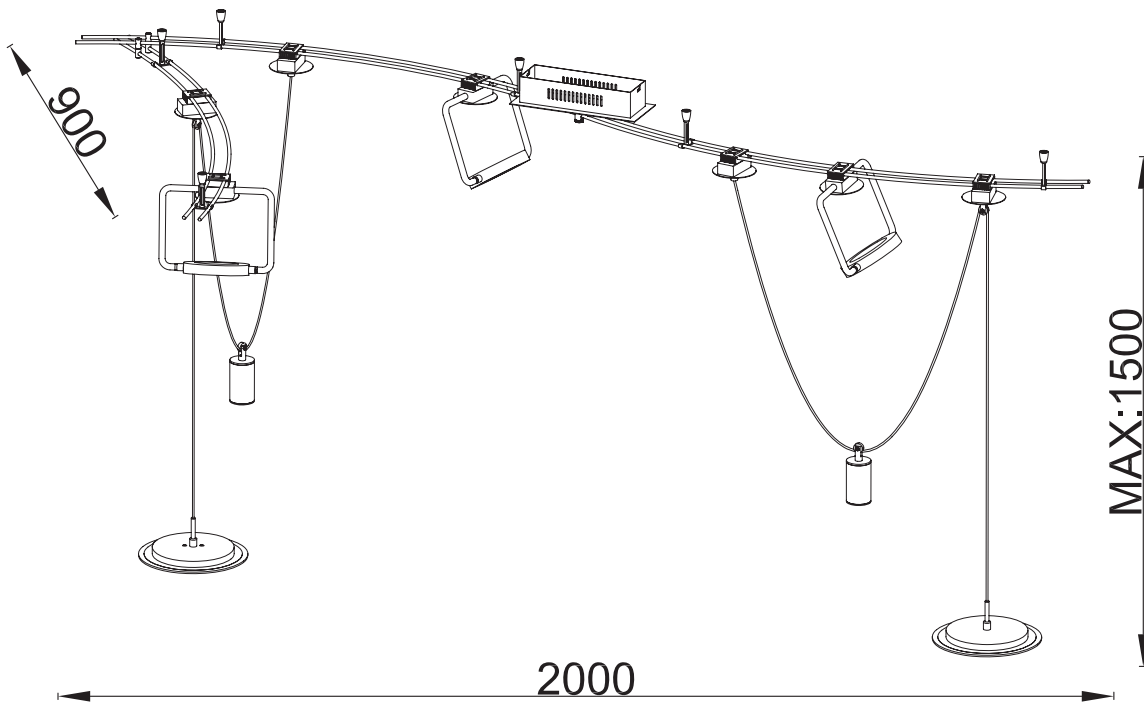
Unchangeable LED
Max. 31W
3000K
RA>80
20000H

220~240V
50~60HZ



INSTRUCTION MANUAL

Chaos CL Satin
92300



1. Turn off the power
2. Install expansion adhesive in the ceiling
3. Fix the bracket and corner of hang by self-tapping screws
4. Open the junction box and power-on
5. Push the light fixture to ceiling ,make "L " hole and bracket on the same line
6. Fix ceiling box with toothed screw
7. Put two guide rails in the two troughs of ceiling box
8. Lock the guide rails with attached wrench
9. Install expansion adhesive in the ceiling
10. Fix the corner of hang by self-tapping screws
11. Turn the swing bar and screw on corner of hang
12. Put guide rails into swing bar trough
13. Insert another four guide rails into fixed part
14. Lock the guide rails with attached wrench
15. Connect two guide rails locked on fixed part and ceiling box
16. Fix the junction box to guide rail according to sketch map.
17. Power-on

SAFETY DIRECTIONS



Please study the instruction manual and below information carefully before installing or using this product. Please keep this user manual for further reference

1. The luminaires may only be installed by authorized and qualified technicians according the valid regulations for electrical installation.
2. Maintenance of the luminaires is limited to their surfaces. During maintenance no moisture can come into contact with any areas of the terminal connections or voltage control parts.
3. The electrical supply must be switched off at the outset, preferably by means of a switch in the distribution box, before any installation, maintenance or repair work is undertaken.
4. Exterior lighting must not be installed during rain.
6. Take account of the minimal separation distance from other objects and the room required around the fitting.
7. If in any doubt, consult a professional, taking local installation requirements into account. Some countries stipulate that lighting may be installed only by registered installers.
8. Clamping screws in electrical connections must be adequately tightened. This is particularly the case with 12V low voltage conductors.
9. When replacing a halogen lamp, wait for it to cool, for a minimum of 5 minutes.
10. Clean with a clean, dry cloth or brush, use no solvents or abrasives. Avoid dampness on all electrical components
11. Take account of all available technical information.
12. Take note of the symbols when connecting wires:
N =Neutral
L =Live
⊕ =Earth
13. Meaning of symbols:



For indoor use only, where direct contact with water is impossible



Protection class 1: the fitting must be earthed



Protection class 2: the fitting is double insulated and does not require earthing



Protection class 3: the fitting is low voltage



Observe the indicated minimum distance between the lam and the illuminated materials/objects



Only the self-screening halogen illuminants should be used with the luminaire



Strip the wire to the indicated length



Connect using the specified cable



The armature can be used in combination with a dimmer. Consult the sales outlet for the correct type of dimmer(important in the case of 12V fittings)



Suitable for installing on normal inflammable materials



The maximum wattage indicated in each lighting unit, for example, must not be exceed



This luminaire cannot be disposed together with normal domestic waste in standard rubbish bin, but you have to bring it to a staging area for electrical waste



This luminaire was designed to work only with the indicated voltage