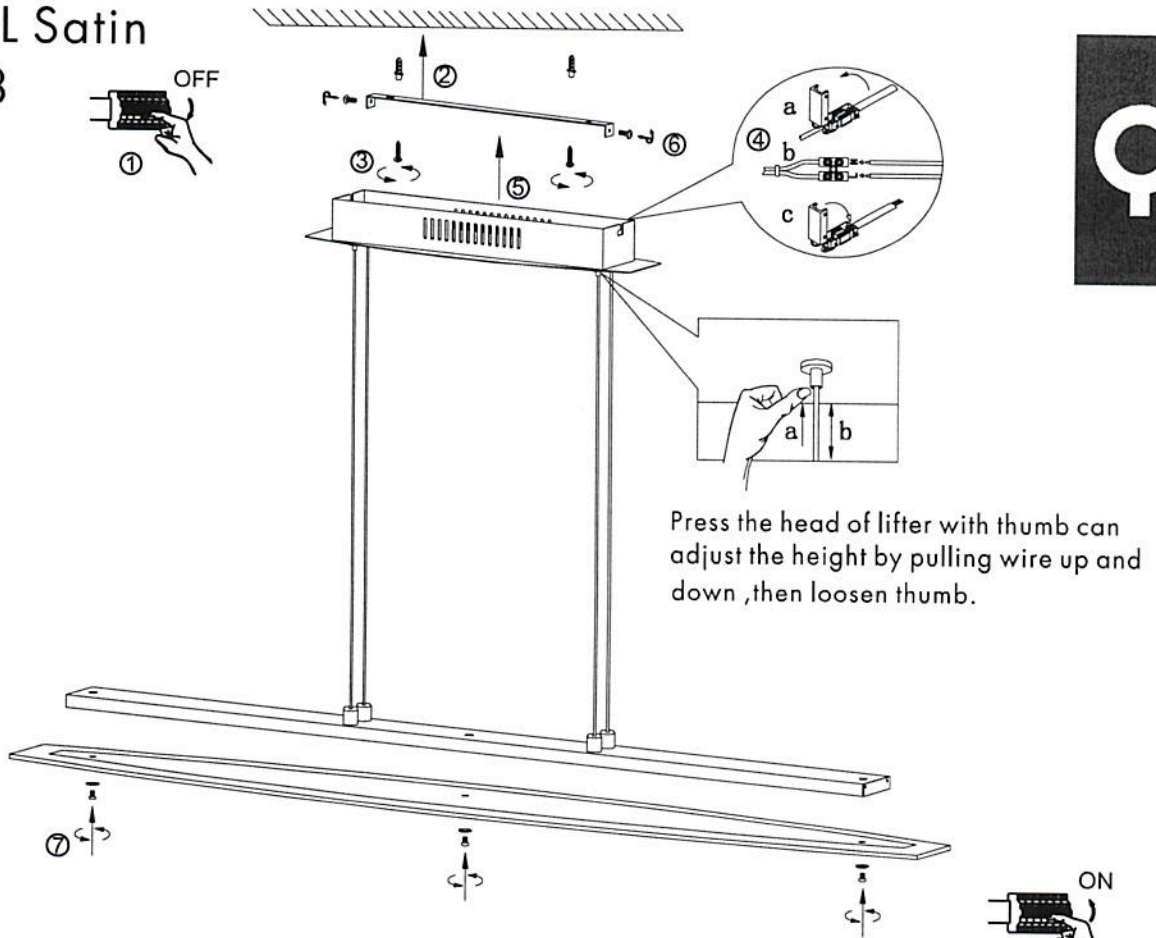


INSTRUCTION MANUAL

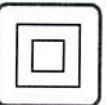
Craft HL Satin
92298



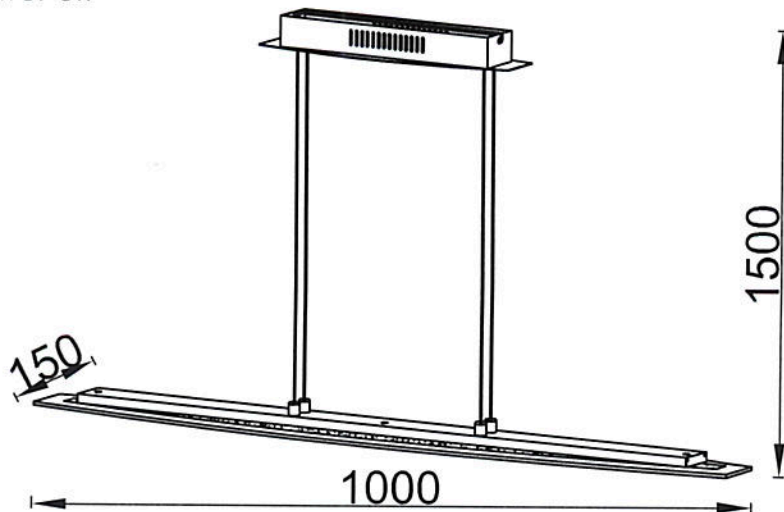
Press the head of lifter with thumb can adjust the height by pulling wire up and down ,then loosen thumb.

Unchangeable LED
Max. 24W
RGB 9.6W
3000K
RA>80
20000H

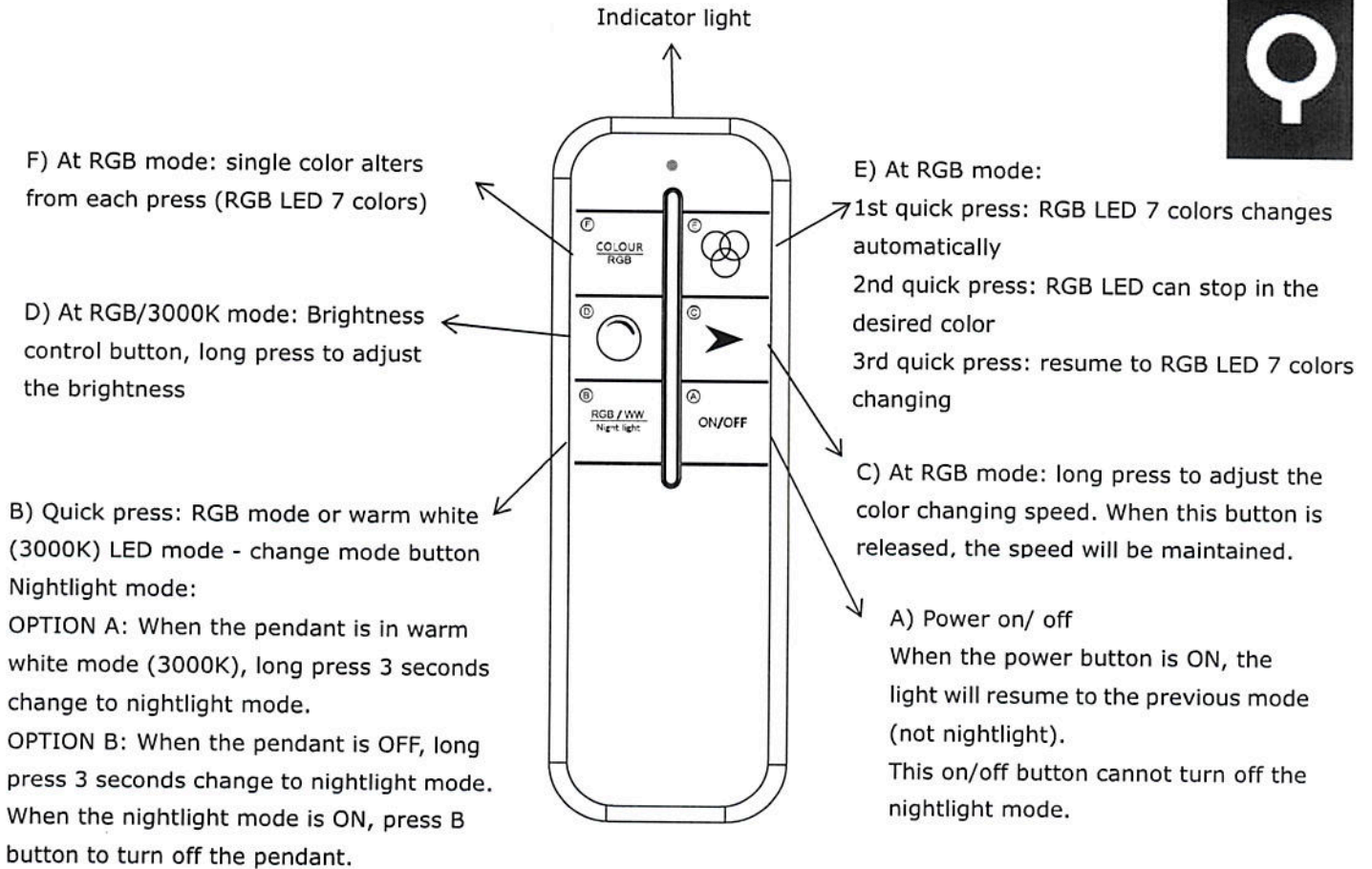
220~240V
50~60HZ



1. Turn off the power
2. Install expansion adhesive in the ceiling
3. Fix the bracket with self-tapping screws
4. Open the junction box and power-on
5. Push the light fixture to ceiling ,make "L " hole and bracket on the same line
6. Fix ceiling box with toothed screw
7. Fix glass and lock it with attached tool
8. Power-on



REMOTE CONTROL MANUAL



F) At RGB mode: single color alters from each press (RGB LED 7 colors)

E) At RGB mode:
 1st quick press: RGB LED 7 colors changes automatically
 2nd quick press: RGB LED can stop in the desired color
 3rd quick press: resume to RGB LED 7 colors changing

D) At RGB/3000K mode: Brightness control button, long press to adjust the brightness

C) At RGB mode: long press to adjust the color changing speed. When this button is released, the speed will be maintained.

B) Quick press: RGB mode or warm white (3000K) LED mode - change mode button
 Nightlight mode:
 OPTION A: When the pendant is in warm white mode (3000K), long press 3 seconds change to nightlight mode.
 OPTION B: When the pendant is OFF, long press 3 seconds change to nightlight mode. When the nightlight mode is ON, press B button to turn off the pendant.

A) Power on/ off
 When the power button is ON, the light will resume to the previous mode (not nightlight).
 This on/off button cannot turn off the nightlight mode.

Remote control clean code & verify code :

For first match, need to clean code then verify code.

Clean code(deactivation):

After turn on the lamp to press button A within 3 seconds for 5 times , the deactivation was successful,then the lamp flashes about 6 times quickly.

When the remote control was not activated,the lamp is warm white(3000K).

Verify code(activation):

Turn off the lamp and long press the button A within 3 seconds,the activation was successful,then the lamp flashes about 3 times slowly.