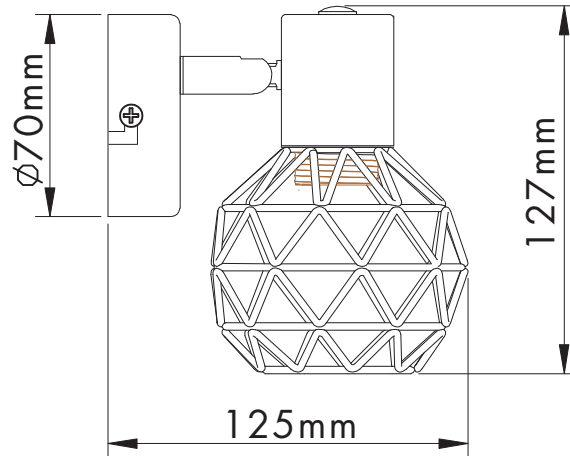


INSTRUCTION MANUAL

Mesh SL 1 Copper
92288



INPUT:AC220-240V

220-240V
50~60Hz
E14
Max.40W

