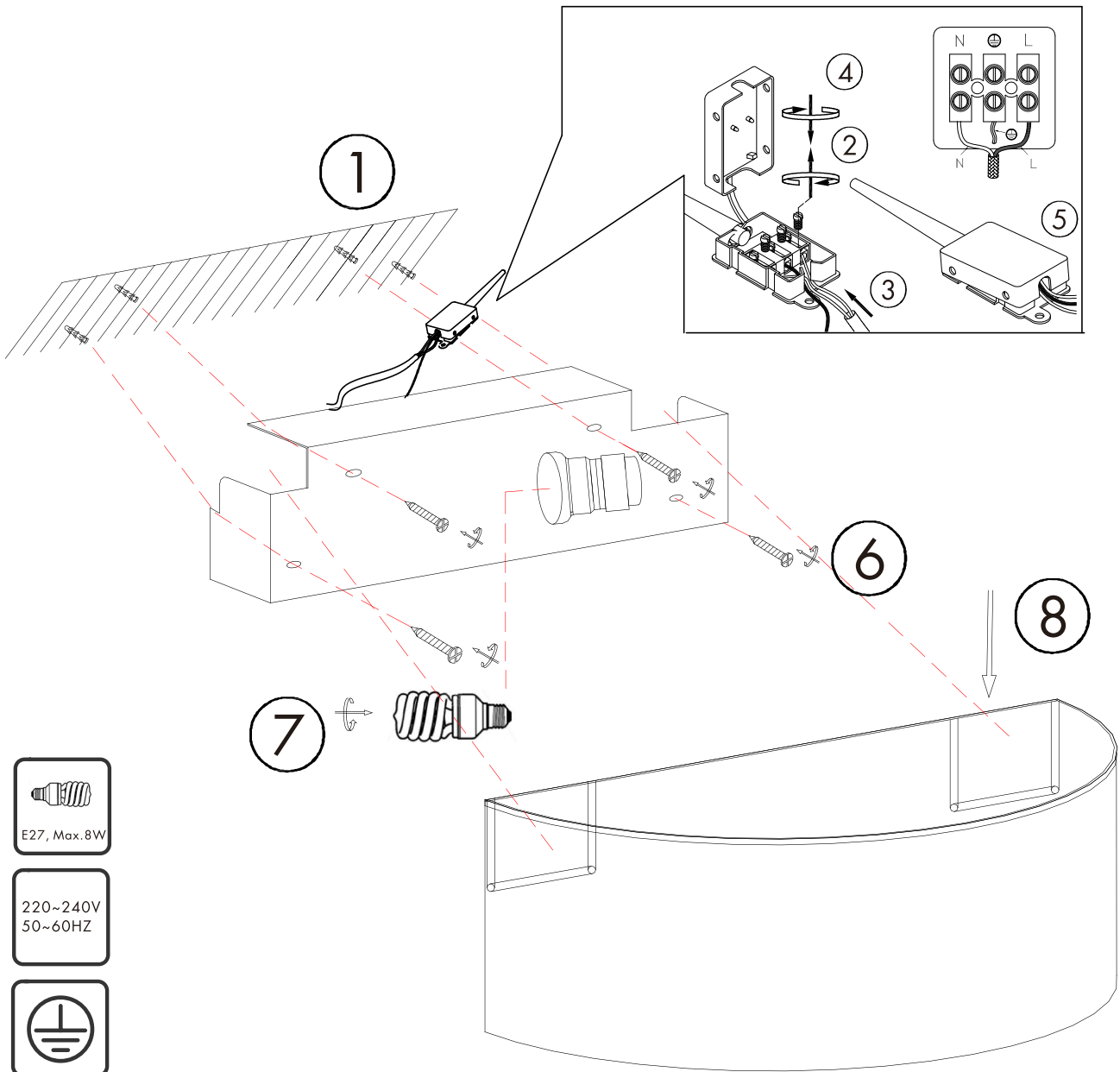


# INSTRUCTION MANUAL

Drum WL Eco Round



Overall size:

