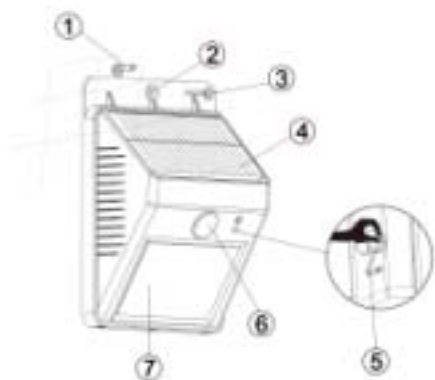
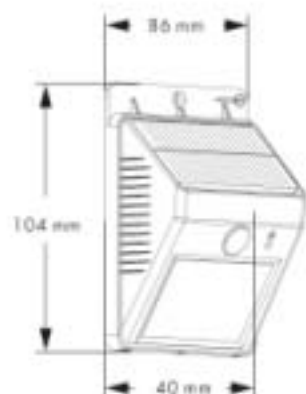


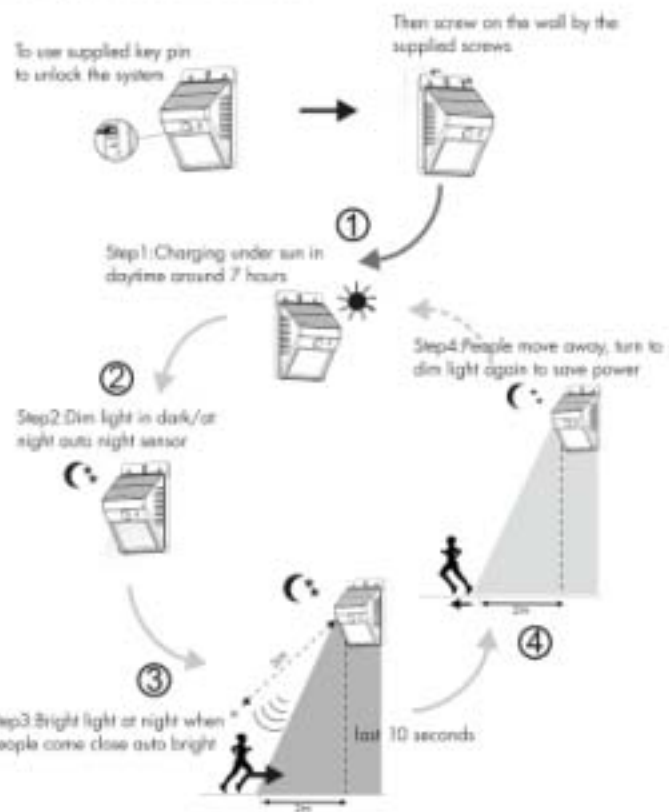
INSTRUCTION MANUAL

Twilight WL Black PIR
91934



- 1 Expansion pillar/hinge
- 2 Hole
- 3 Screw
- 4 Solar panel
- 5 On/Off Switch hole
- 6 PIR motion inductor
- 7 LED panel light

Working process instructions



QAZQA

WWW.QAZQA.COM

