



www.fumagalli.it



WARRANTY and RESPONSIBILITY

All these products has been designed, produced and tested in accordance with the European safety standards. Fumagalli company accepts no responsibility whatsoever for damages caused by incorrect installation, misuse or when used by combining it with spare parts that do not belong to the products. If in doubt, consult a qualified electrician. The warranty of Fumagalli product is of 1 year. The company Fumagalli, according to his unquestionable judgment, will proceed to the fixation or the replacement. Each piece considered as defective will have to be sent back to Fumagalli company at customer's cost. This warranty does not cover any cost neither regarding the trasport, nor the uninstallation, nor the re-installation, nor the dismantlement of the material.

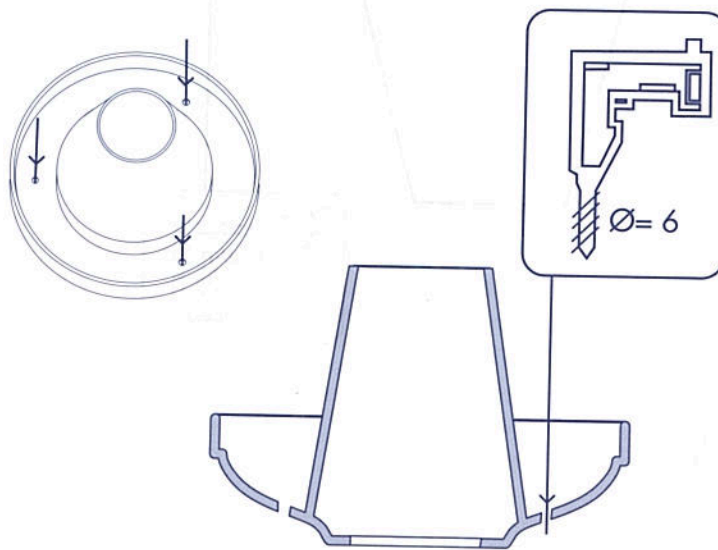
GLOBE 250



GLOBE 300

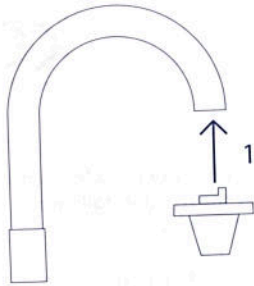


•If the globes are fitted in the UP position,
then please drill water escape holes as shown



GLOBE 250

GLOBE 300



•If the globes are fitted in the UP position,
then please drill water escape holes as shown

