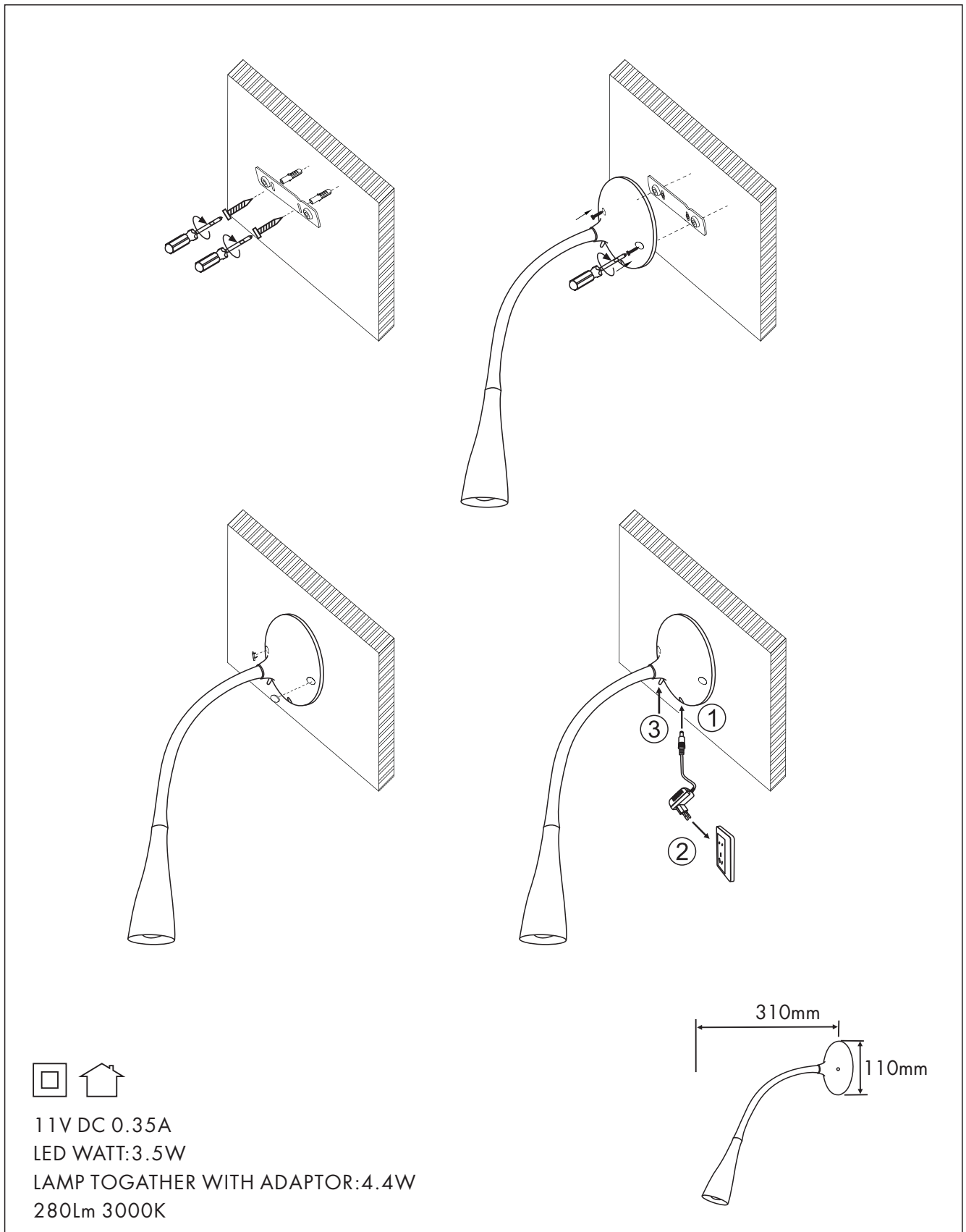


# INSTRUCTION MANUAL

Swan WL Black  
91833



11V DC 0.35A  
LED WATT:3.5W  
LAMP TOGETHER WITH ADAPTOR:4.4W  
280Lm 3000K