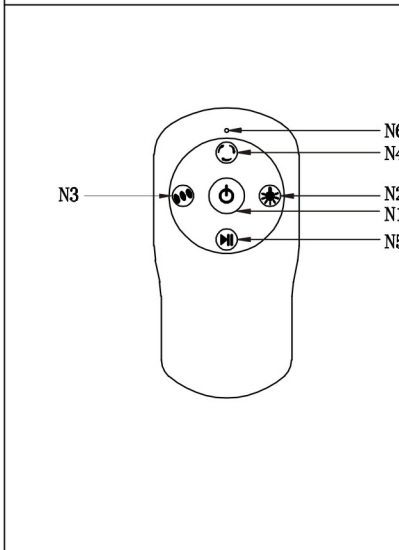
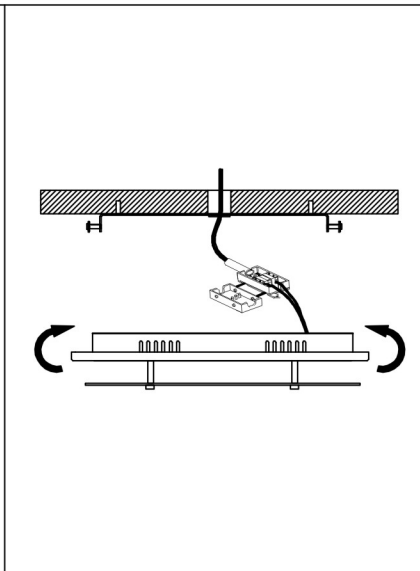
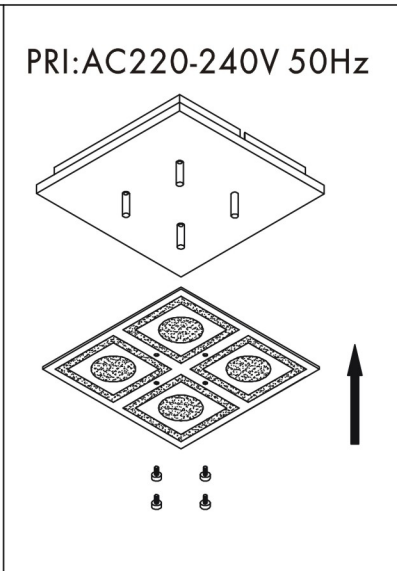
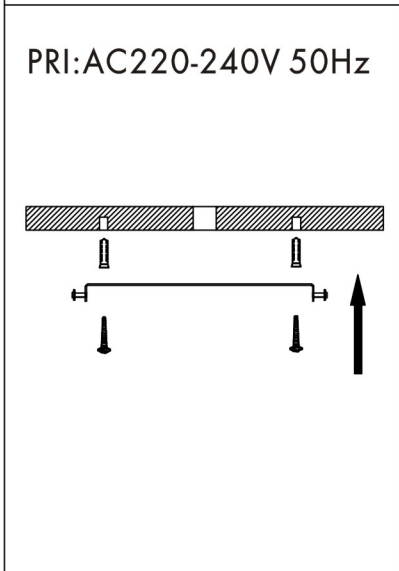
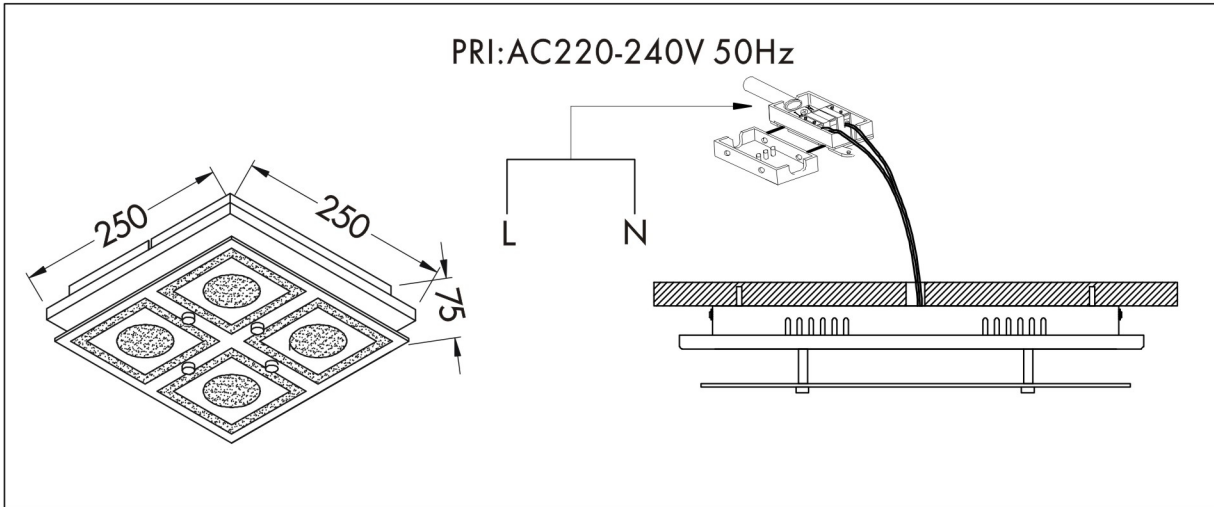


INSTRUCTION MANUAL

Illumlux CL 4 Chrome
91468



The Remote Control Operation Instructions.

- N1: Power master switch, control ON and OFF of all the lights.
- N2: Main light switch, control ON and OFF of main light source.
- N3: Color selection switch, press this button to choose colors (press each time to choose according to priority of Red-Green-Blue-All lighted-Off, all repeat).
- N4: Slow/quick switch, First press colors change slowly, second press colors change quickly, all repeat.
- N5: Dual-function switch
 - a: Press this button to pause the current state RGB light and keep this status;
 - b: Host matching when you replace a new remote control, cut off the host power supply in a minute, then open the host once again and long press this button 5-10 seconds, It shows that the remote control matching successfully when the indicator light flickering.
- N6: Indicator Light, the indicator light will light up when you press buttons each time successfully. When battery is low or not succeed in pressing buttons, this light will not work properly.