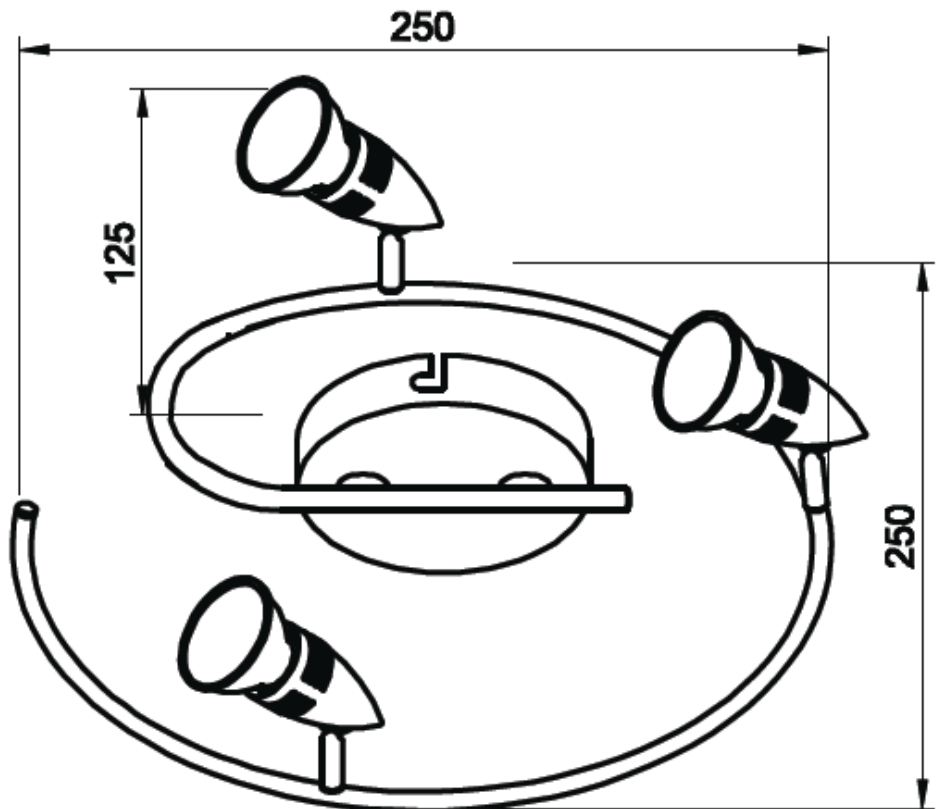
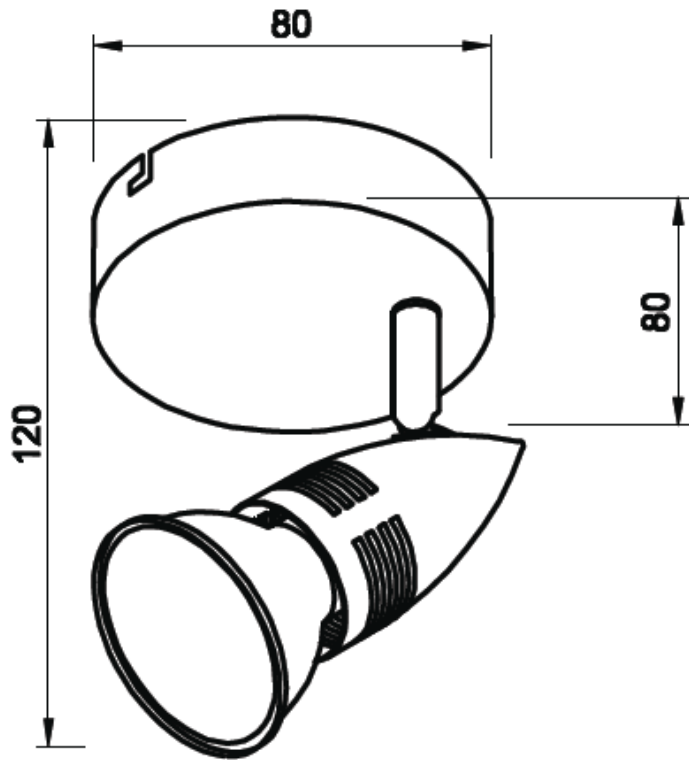


INSTRUCTION MANUAL

Fuse SL
91236/91237



INSTRUCTION MANUAL

Fuse SL
91236/91237

