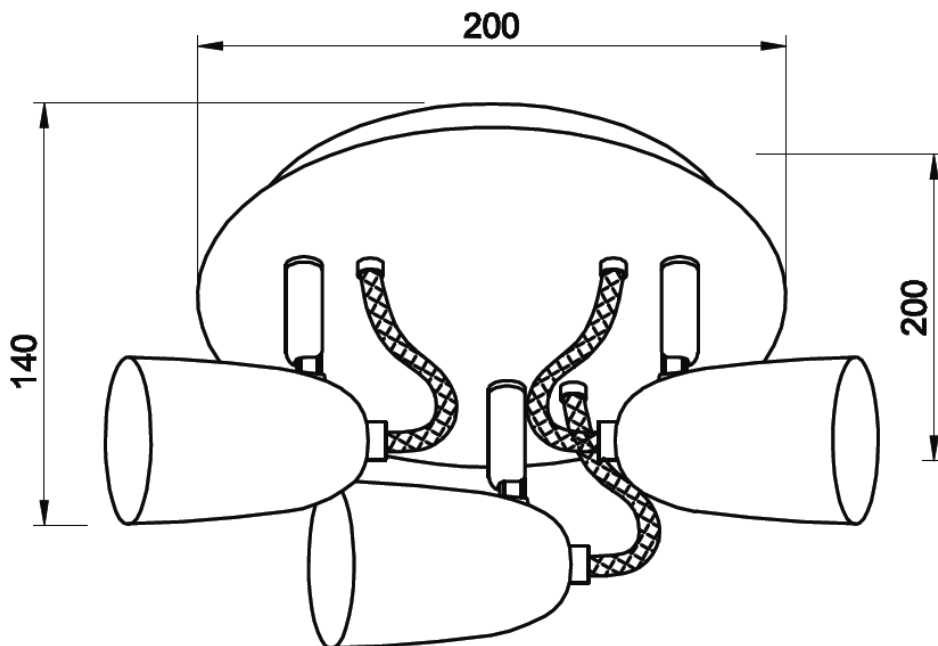
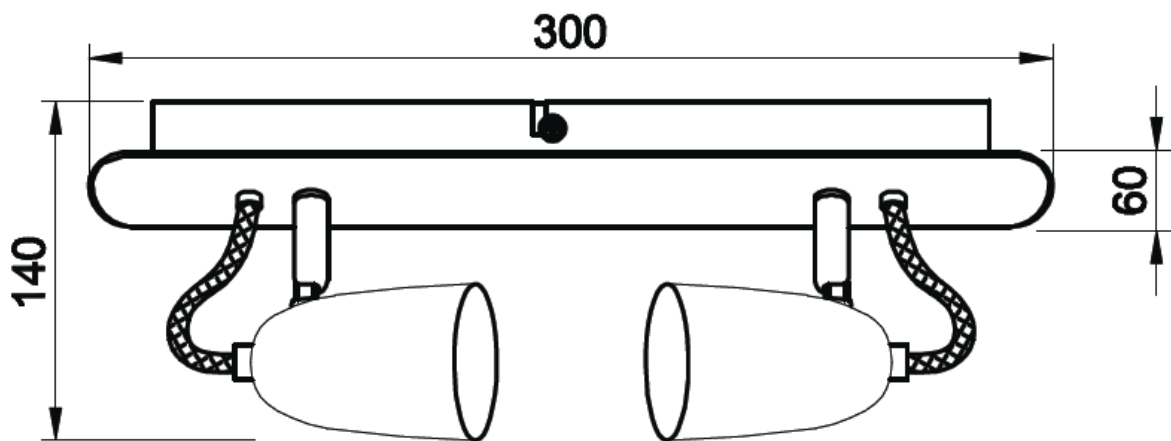
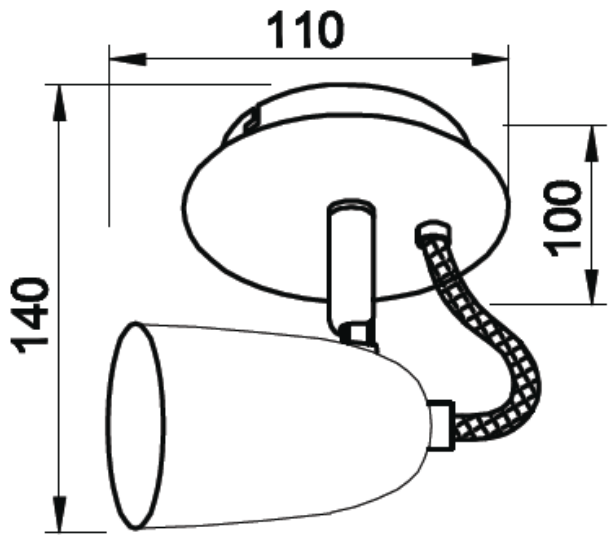


INSTRUCTION MANUAL

Taza SL
91233/91234/91235



INSTRUCTION MANUAL

Taza SL
91233/91234/91235

