

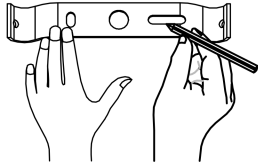
# INSTRUCTION MANUAL

## Basket HL Copper

91124

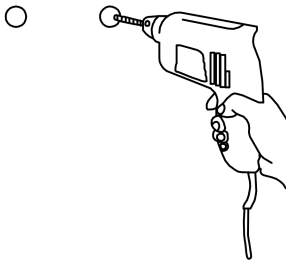
- 1、 Put the plate on the wall and use the pencil to mark the hole.

1



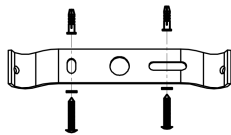
- 2、 Drill the holes on the wall.

2



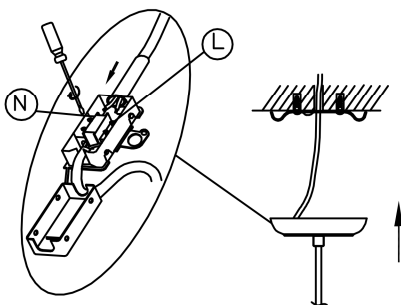
- 3、 Fix the plate to the wall by screws.

3



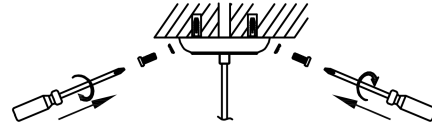
- 4、 Connect the fixture by positive and negative poles.

4



- 5、 Fix the canopy by screws.

5



- 6、 Screw the bulb into the lampholder.

6

