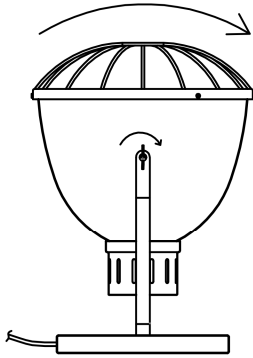


# INSTRUCTION MANUAL

## Orbita TL Copper 91120

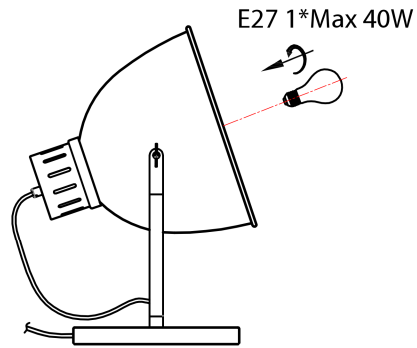
1、 Adjust the angle of the lamp.

1



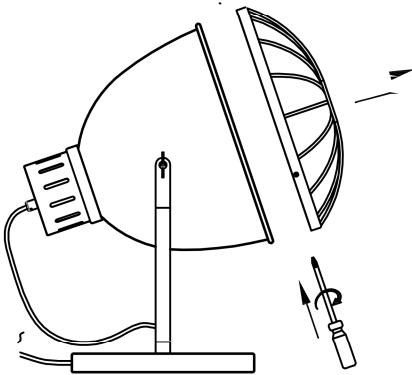
3、 Screw the bulb into the lampholder.

3



2、 Take out the alambre shade by screw-driver.

2



4、 Fix the alambre shade by screws.

4

