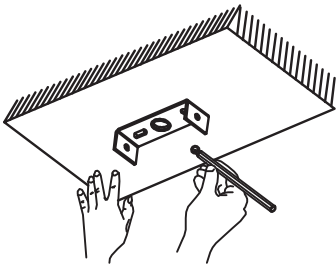


# INSTRUCTION MANUAL

## Cosmos SL 2 White 91079

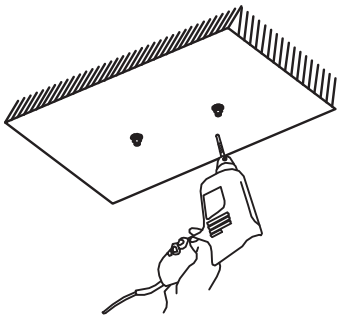
1. Before installation disconnect the mains supply. Take out the plate from the fixture and position on the wall. (see item in drawing 1).

1



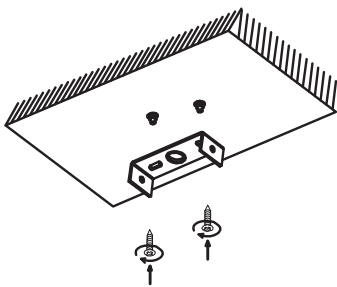
2. Drill holes and insert wall plugs.

2



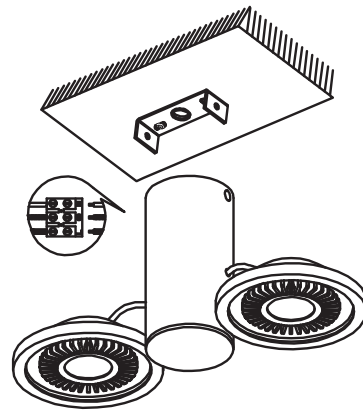
3. Fix plate to wall with screws (supplied) and make sure plate is level.

3



4. Connect the fixture to the mains supply.

4



5. Fix the fixture to the base.

5

