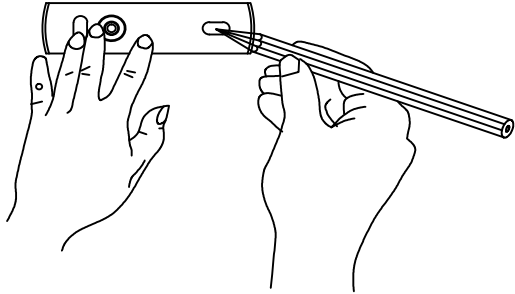
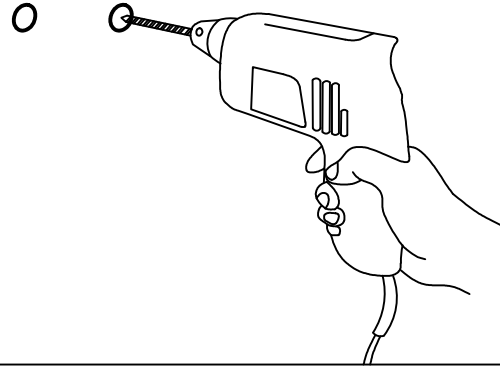


Ufo SL 3 Satin
90988

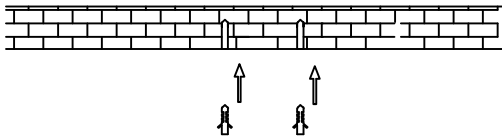
INSTRUCTION MANUAL



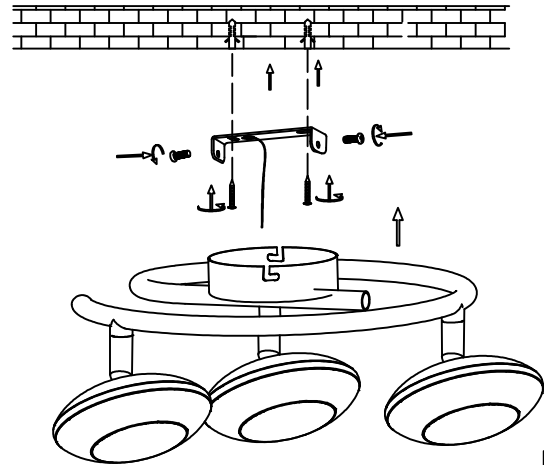
1



2

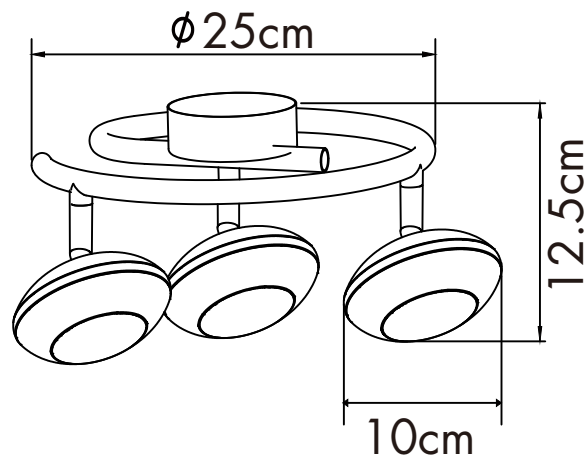


3



4

220-240V/50Hz
3xMax.5W LED



Neutral



Earth



Live