



WWW.QAZQA.COM

Motion V CL 20W LED MW MODEL: 90499

We are delighted that you have purchased this MICROWAVE lamp. This lamp is suitable for indoor use only. Please read this instruction manual before installation and retain for future reference.

IMPORTANT: Never modify the unit, there are no user serviceable parts inside. Not suitable for use with dimmer switches. Install in accordance with IEC Wiring Regulations.

THE LIGHT SHOULD BE INSTALLED BY A QUALIFIED ELECTRICIAN.

POSITIONING THE LAMP

When selecting the mounting position, take into account the following points:

1. The sensor is designed for optimum performance when mounted at a height of above 2.5 to 4 meters (see Figure)
2. Avoid pointing at or positioning close to heat sources such as heaters or heat extraction units, which may cause false triggering.
3. Avoid pointing at bright lights as the sensor will not function when you set Lux control level to dark
4. Avoid mounting at strong electromagnetic disturbance, i.e. near electrical motor or fluorescent lamp ballast.

		1	2	3	4	5	6
LUX	<200LUX	0	0	x	x	x	x
	<60LUX	0	1	x	x	x	x
	<20LUX	1	0	x	x	x	x
	<5LUX	1	1	x	x	x	x
SENS	5m	x	x	0	0	x	x
	3.5 m	x	x	0	1	x	x
	2m	x	x	1	0	x	x
	1m	x	x	1	1	x	x
TIME	10s	x	x	x	x	0	0
	1min	x	x	x	x	0	1
	4min	x	x	x	x	1	0
	10min	x	x	x	x	1	1
		1=ON	0=OFF	x=ON or OFF			

INSTALLING THE LAMP

Before commencing any electrical work, ensure the mains supply is isolated by switching off and removing the relevant fuse. (See Figure 2)

1. Remove the Glass Chimney
2. Use the back metal disk to mark the position of screw onto ceiling surface. Using a bit, drill the wall to a depth of about 3cm. Fit the rawl-plugs supplied.

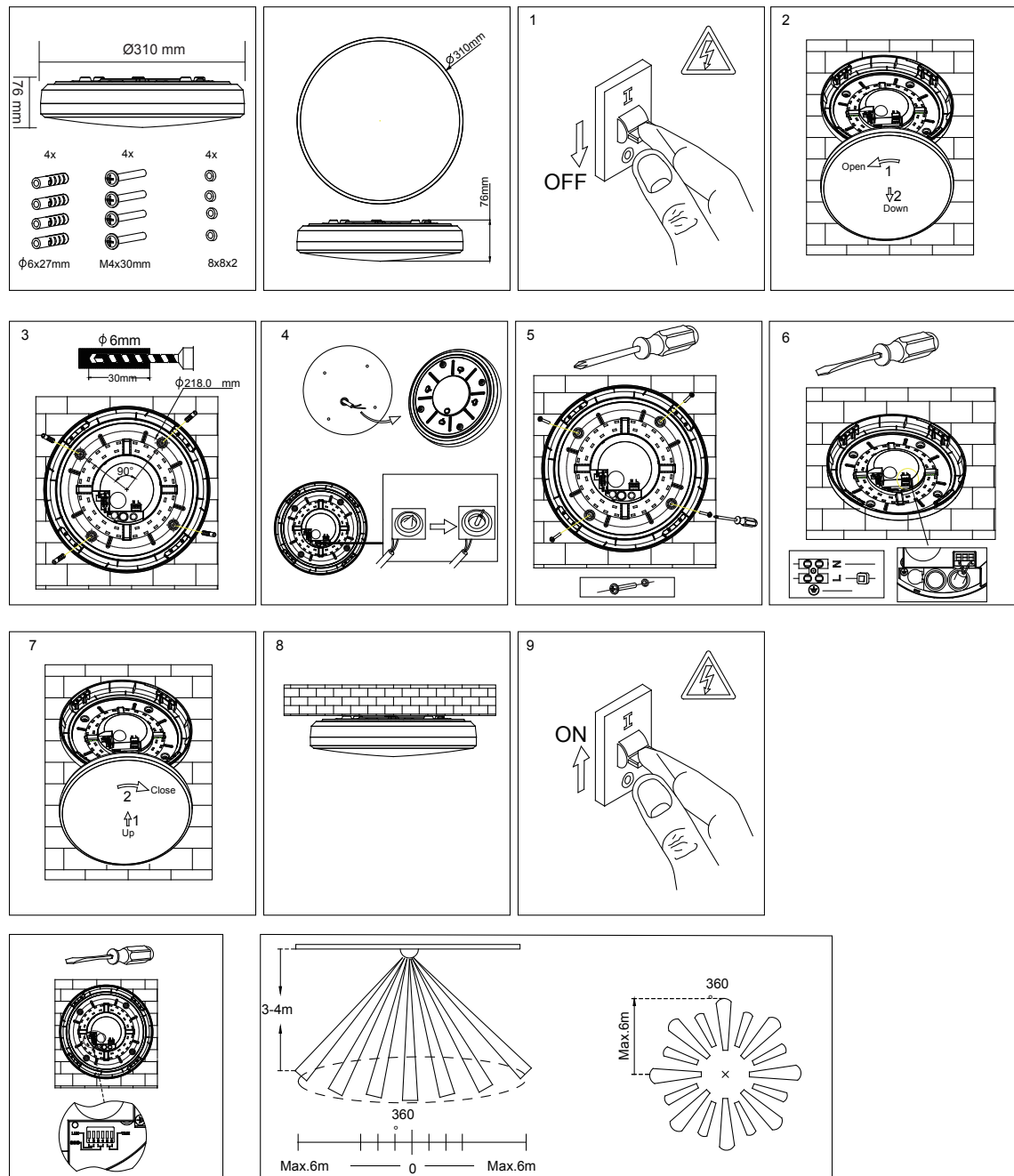
QAZQA



WWW.QAZQA.COM

3. Bring mains wiring through and fix back metal disk to ceiling surface using screws. Connect mains wiring to the terminal block.
4. Re-fit the Glass Chimney .

After finishing the installation operation, you can adjust the working state of the MICROWAVE SENSOR.



TECHNICAL DETAILS:

- Voltage: 220-240 V~ 50 Hz
Wattage: 40x0.5W LED
Detection range: 360° and Max.5meters radius (see Figure)
Delay time: 10s to 10 min. adjustable
Lux control level: Daylight to Night adjustable
IP: 44

QAZQA