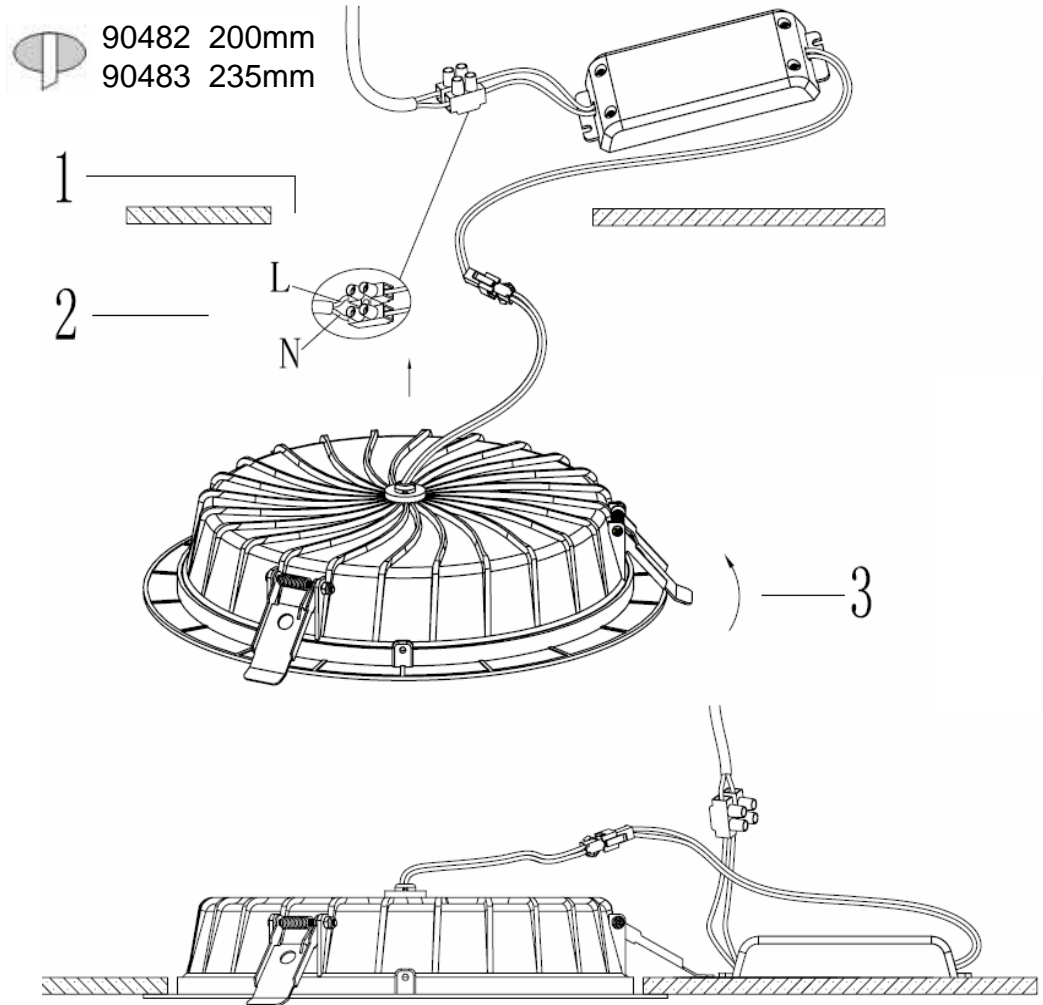




WWW.QAZQA.COM

90482/90483

.Please read instructions before commencing installation and retain for future reference.

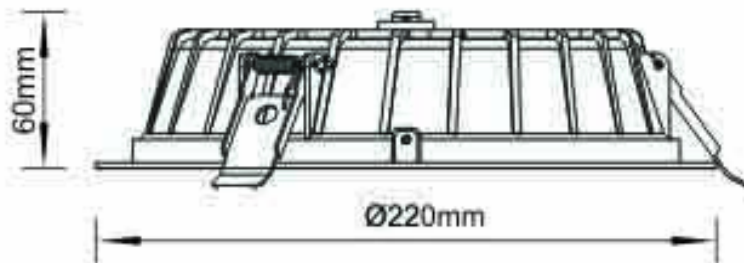


INSTALLATION INSTRUCTIONS:

- 1.Make a hole;
- 2.Connect it to power;
- 3.put it into the hole.

Note:

- Lamp
- 90482 LED 25W
- 90483 LED 30W



90482:220mmx60mm
90483:255mmx60mm

QAZQA