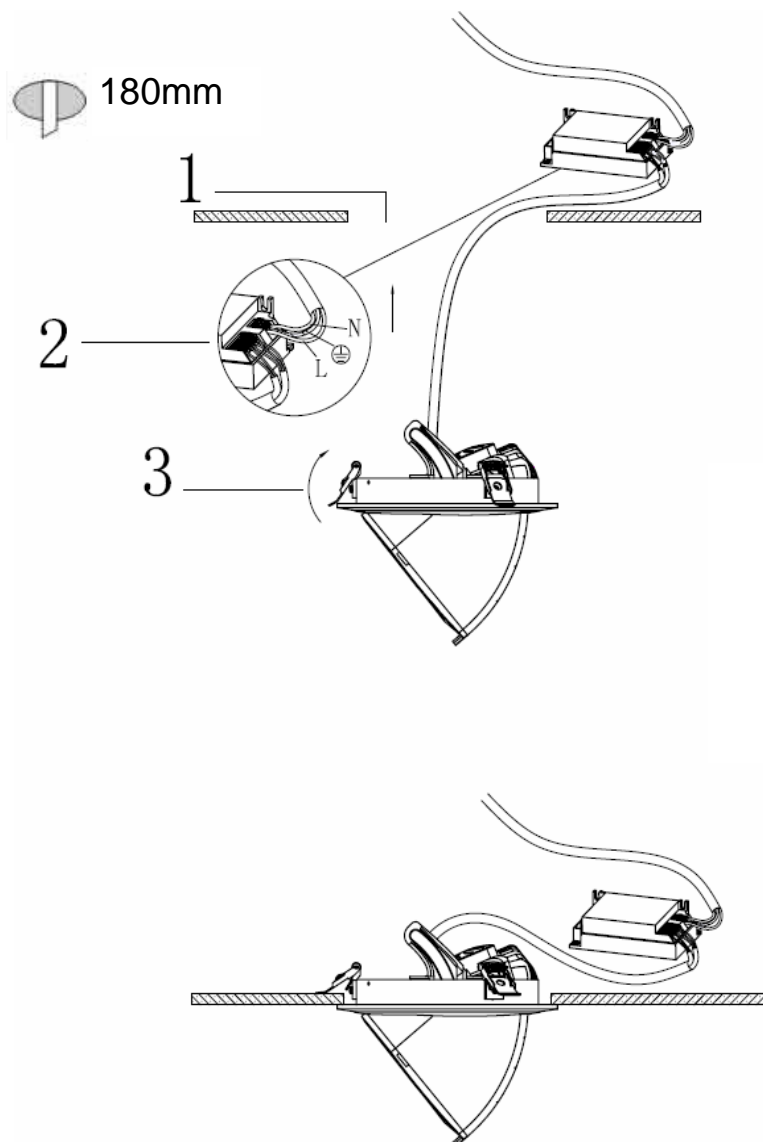


90476

.Please read instructions before commencing installation and retain for future reference.

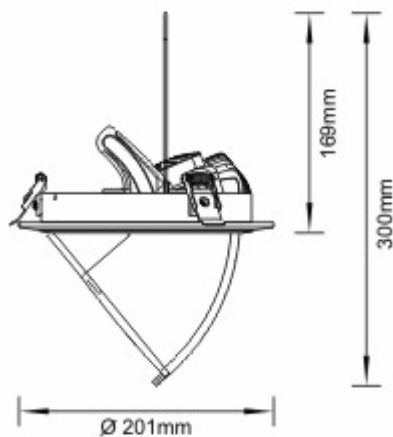


INSTALLATION INSTRUCTIONS:

- 1.Make a hole;
- 2.Connect it to power;
- 3.put it into the hole.

Note:

Lamp LED 35W



QAZQA



WWW.QAZQA.COM