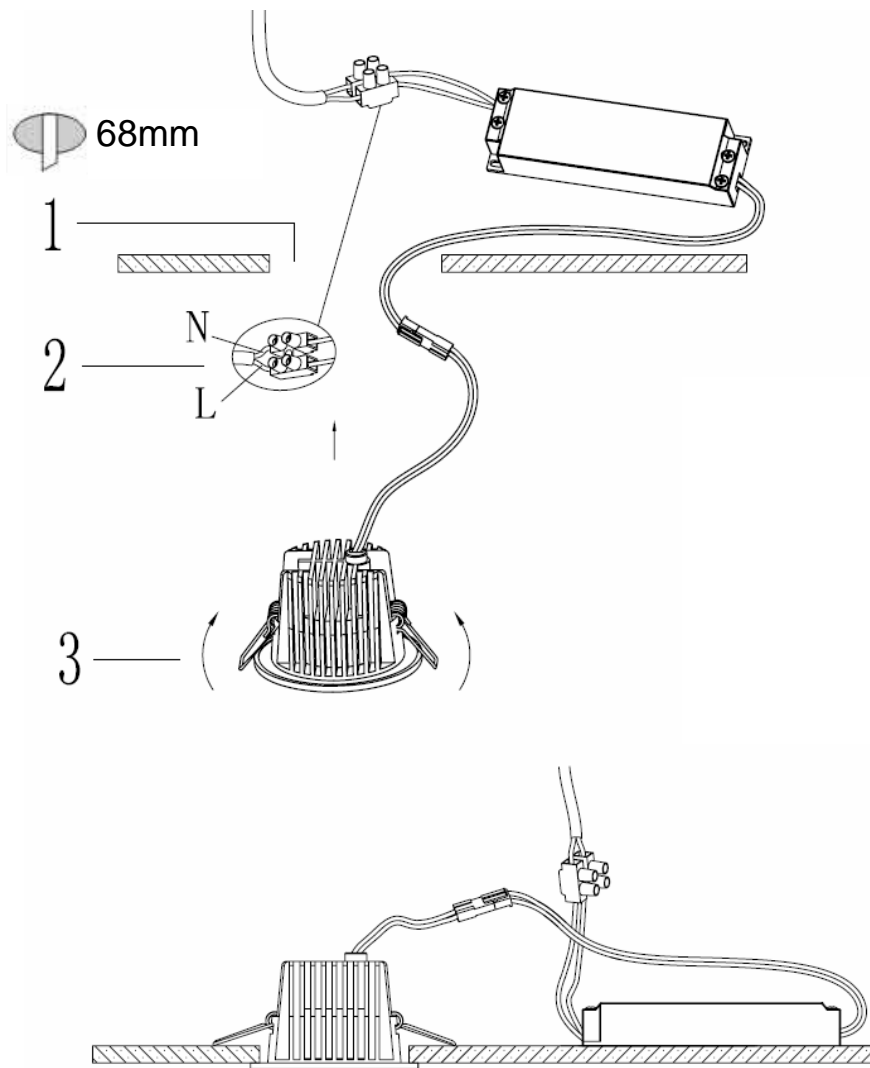




WWW.QAZQA.COM

90471

.Please read instructions before commencing installation and retain for future reference.

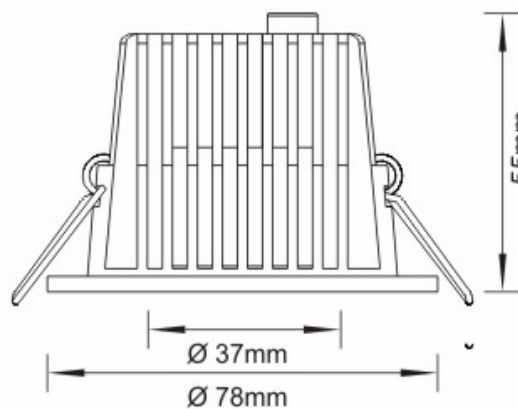


**INSTALLATION INSTRUCTIONS:**

- 1.Make a hole;
- 2.Connect it to power;
- 3.put it into the hole.

**Note:**

Lamp LED 6.5W



**QAZQA**