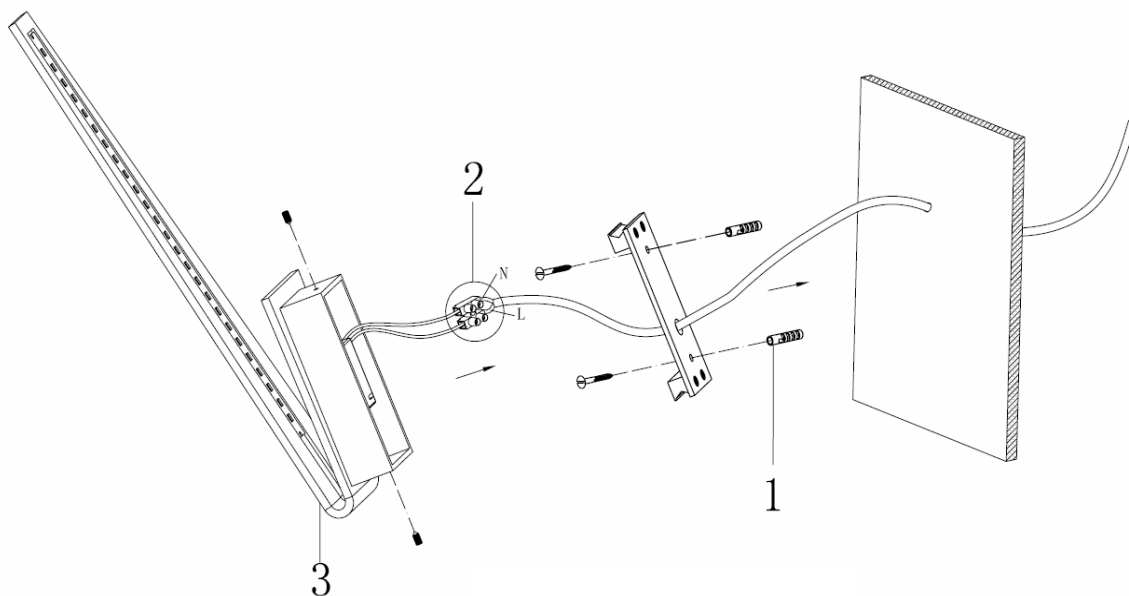


90470

.Please read instructions before commencing installation and retain for future reference.

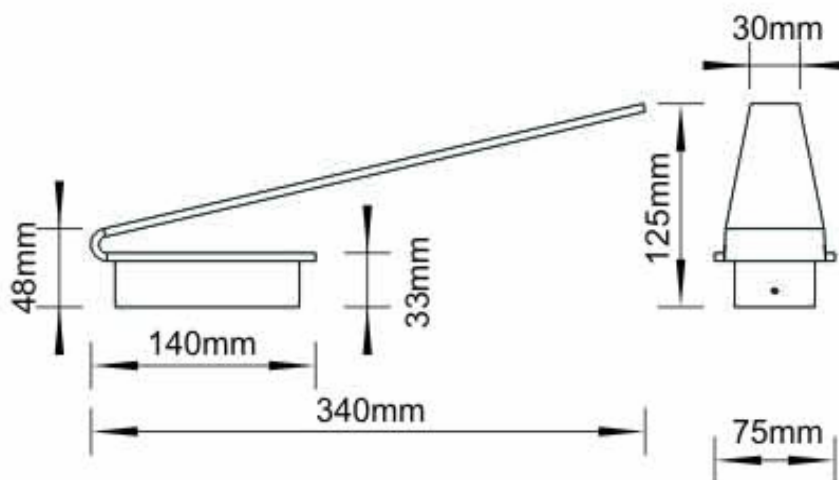


INSTALLATION INSTRUCTIONS:

1. Install the base;
2. Connect it to power;
3. Put the fitting onto the wall and tighten the screws;

Note:

Lamp LED 9W



QAZQA



WWW.QAZQA.COM