



WWW.QAZQA.COM

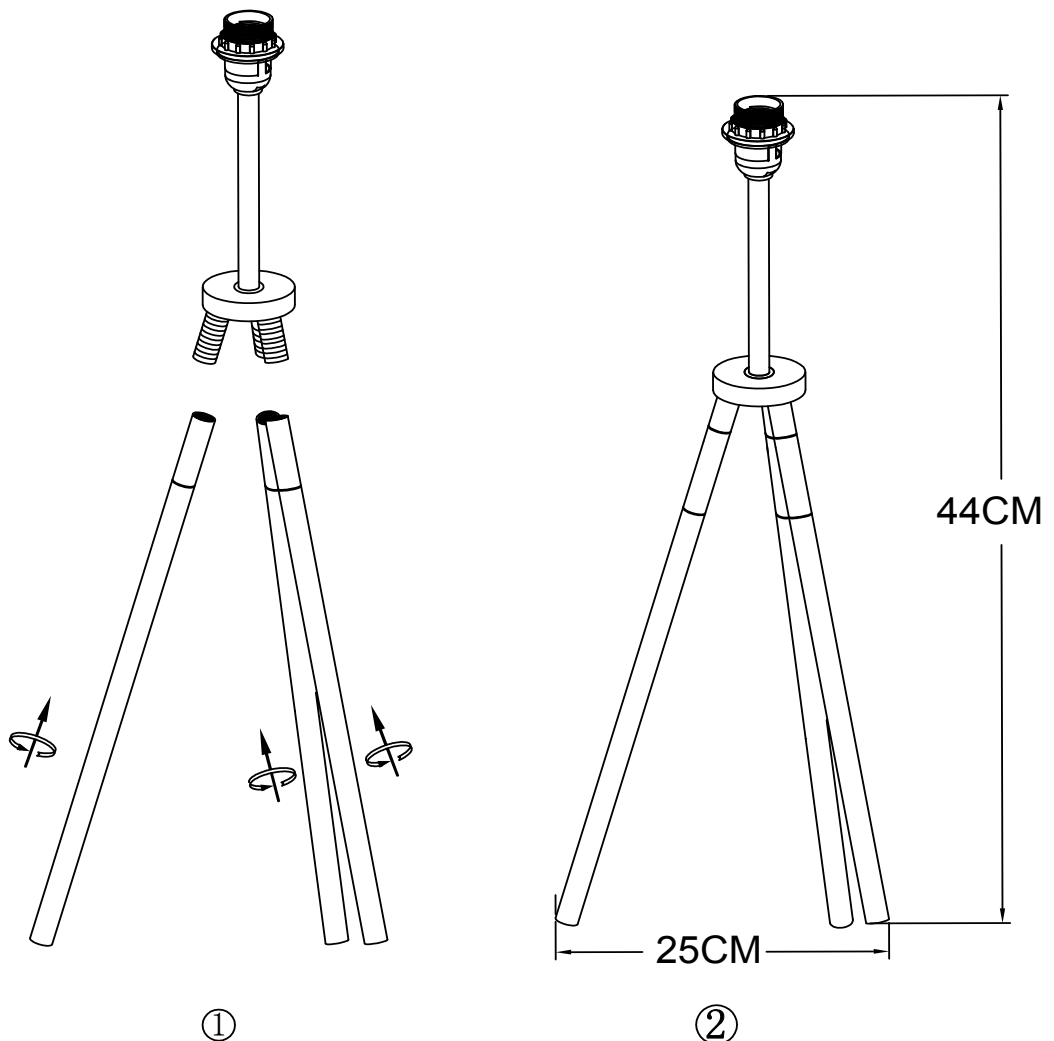
# Treppiede TL Wood--Instruction

## Assembly Instructions

1. Fix the wooden legs with the metal tube as per diagram 1.

### CAUTION

1. For indoor use only.
2. Keep out of reach of children and animals
3. Use 220-240V ~ 50/60Hz, use one max. 40 watts E14 bulb.
4. Do not use in the bathroom or damp places
5. Place the lamp on a flat surface and ensure there are no flammable materials around it.
6. Before cleaning the lamp and replacing the bulb, ensure the plug has been pulled out from socket and the lamp has cooled down.
7. Do not pull the plug out of the socket with wet hands.
8. If the external flexible cable or cord of this lamp is damaged, it shall be exclusively replaced by a qualified person in order to avoid a hazard.



**QAZQA**