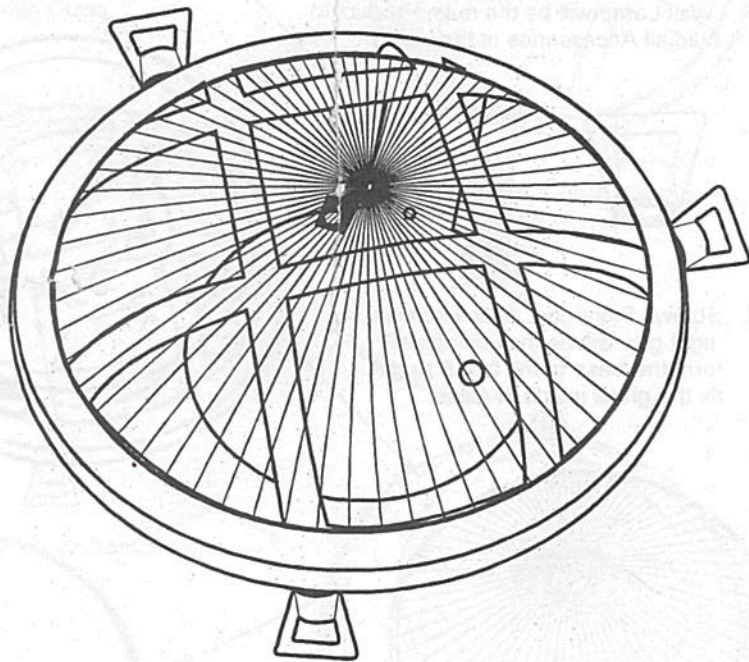


ITEM # : 90234

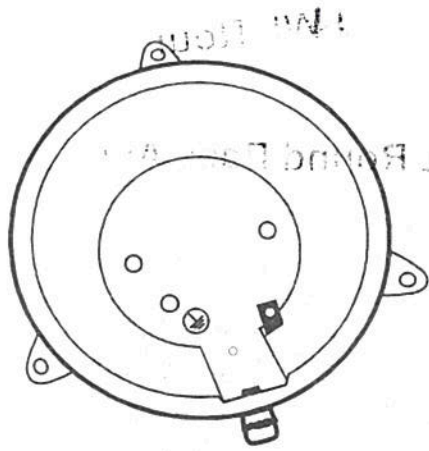
DESC. : Nautica WL Round Bass Antique



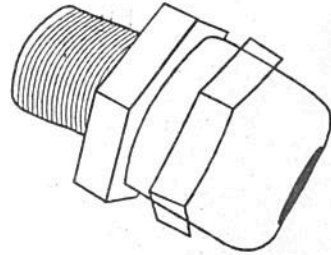
QAZQA



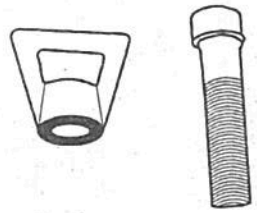
WWW.QAZQA.COM



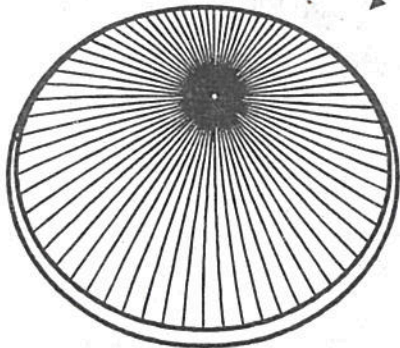
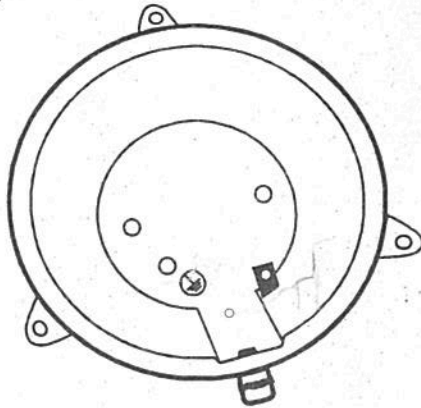
1. Aluminium Wall Lamp. The Aluminium Wall Lamp will be the main Product to hold all Accessories of the Lamp.



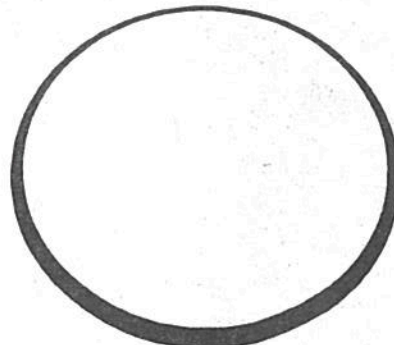
2. Water proof wrd grip. Its a very important part to hold the wire 4 stop Water.



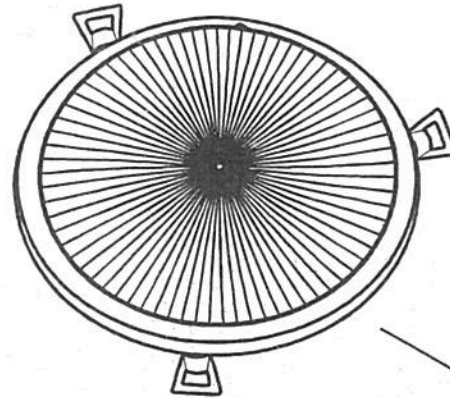
3. Screws Fight grip. These screws tight grip will be the joining part form the base to the Net & to get fix the glass inside of glass.



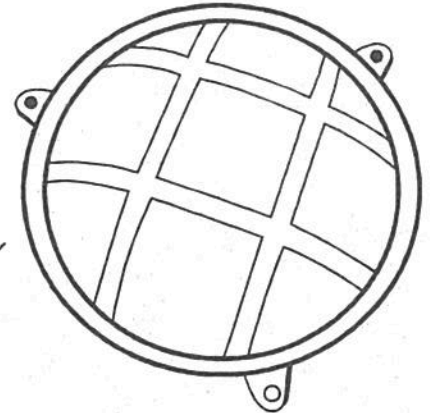
4. The Glass Shade. The Glass shade will be fix inside of the Lamp.



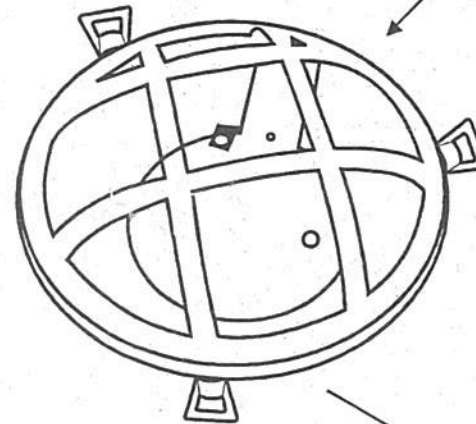
5. The Rubber will over the glass 4 will be place inside the Lamp.



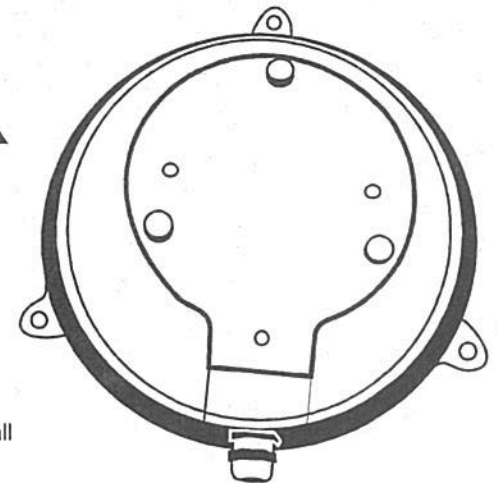
6. The Upper Net with Glass. It will be fix by the of screws fight grip with Glass.



7. The Upper Net. It will be fix by the of screws fight grip.



8. Now the Product Complete.



9. Back Side of Wall Lamp.

