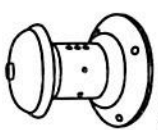


THE MANUAL OF LAMP PARTS



Upper Cap

1.



Hanger Side Fitting

2.



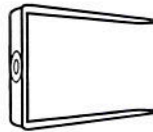
Screw

3.



Round Pipe

4.



Square Hanger

5.



Brass grip with screw.

6.



Rod

7.



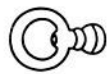
Upper Screw cap

8.



Inside fitting screw.

9.



Hook Holder

10.

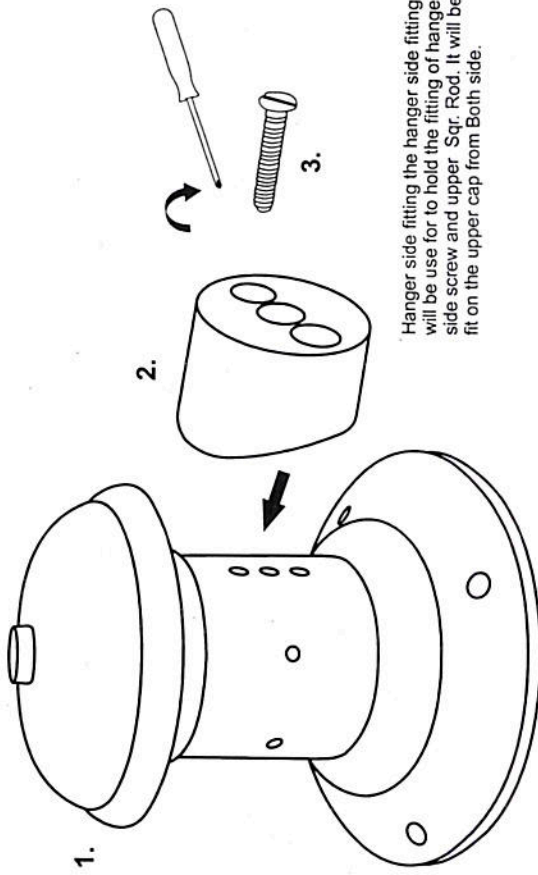


Lamp Shade

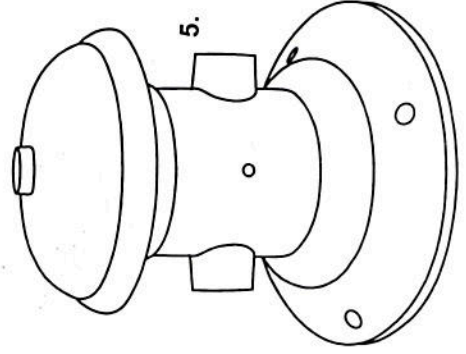
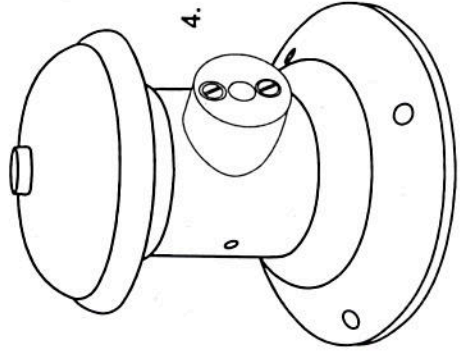
11.

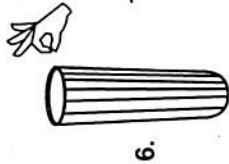
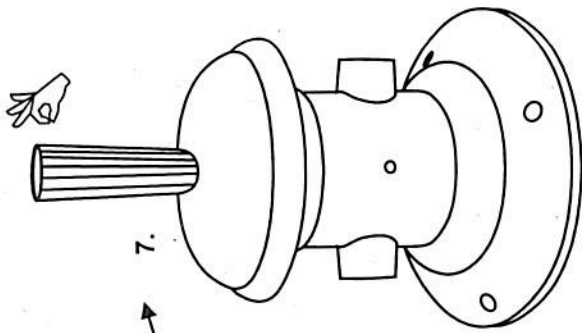
**MANUAL WITH INSTALLATION
DESCRIPTION OF LAMP PARTS**

Upper cap is used for the complete fitting of lamp and small holes will get different screw fittings.

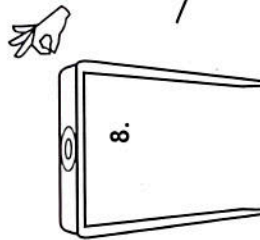
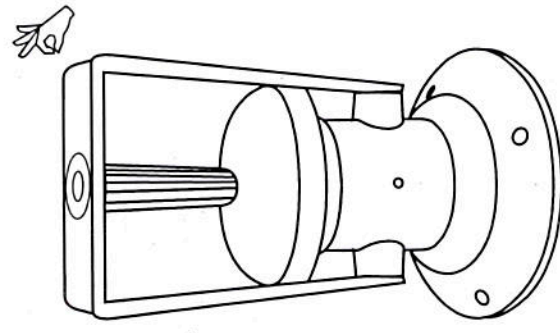


Hanger side fitting the hanger side fitting will be use for to hold the fitting of hanger side screw and upper Sq. Rod. it will be fit on the upper cap from Both side.



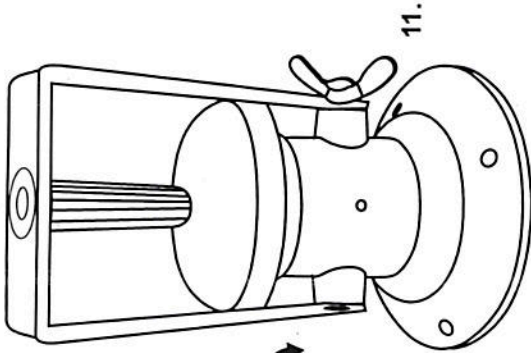


Round Pipe will be fit under the Sqr. Rod hanger and on upper cup. It will be fix in the middle of upper cup hanger.

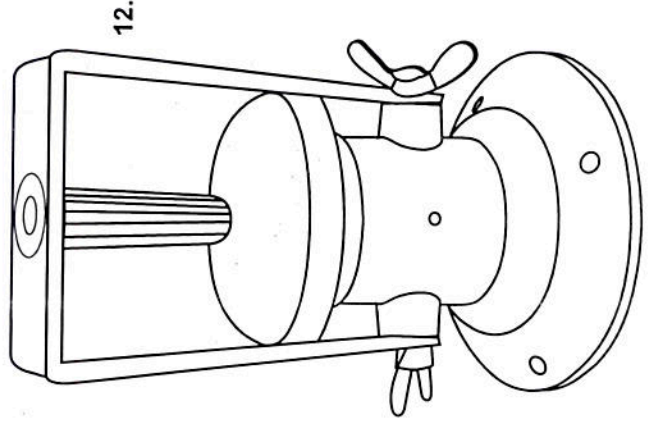
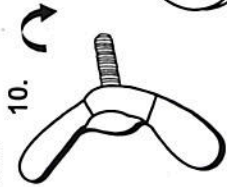


Sqr. Rod hanger the Sqr. Rod hanger will be fix on the upper cap & will be fill from both side hanger fitting by brass grip with screw.

Now the upper cup is fixed with sqr. rod hanger and side fitting from both side



Brass grip with screw.



Now the upper cup with complete outside fitting.

Round Nipple Rod
It will be use to attach upper cup fitting
with the round lamp shade. It will be insert
from inside of lamp shade.



13.

The Rod studd & Ring washer will be light on round
nipple Rod and it will be inside of lamp shade.



16.

Ring washer

14.

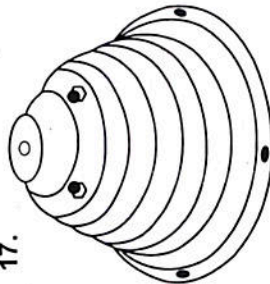


Rod Studd

15.

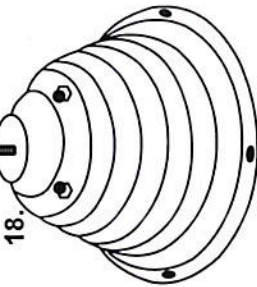


17.

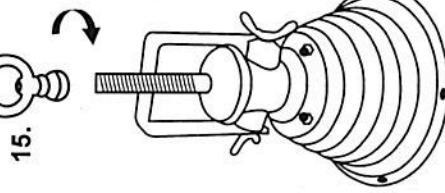


Lamp shade

18.



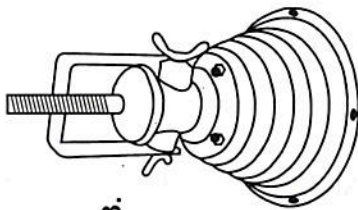
Now the lamp shade is
the round nipple Rod.



15.

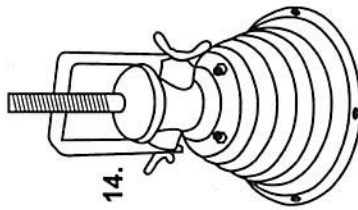
Hook holder aluminium casted.

13.



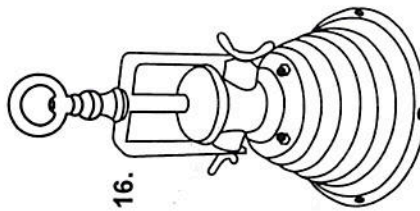
Now the lamp shad is with upper cup fitting
and inside round nipple Rod.

14.



This is the round nipple Rod which
will come up of the Sqr. Rod hander &
here we fix screw the
aluminium inside casted hole Holder.

16.



Now The Lamp is Complete
with Parts Fitting

The upper fitting cup will be place
on the lamp shed with
Round Nipple Rod.
The round nipple Rod will be
get across from inside of the
upper cup.

20.

Upper Screw cap



Inside fitting screw.

