
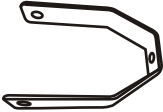
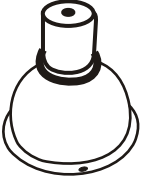
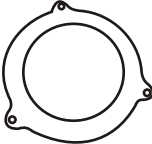
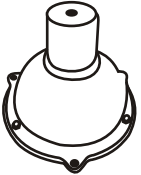

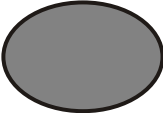
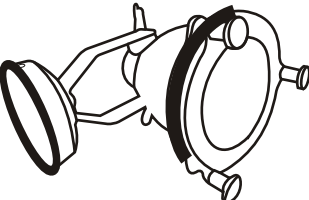


90223

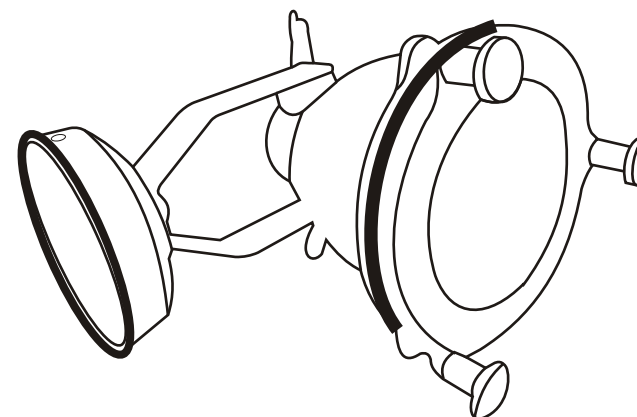
Raw WL II Chrome

1.  Wall Cup
2.  Wall Hange
3.  Aluminium Shade
4.  Aluminium Ring
5.  Shed with Upper Ring
6.  Screw 4
7.  Lamp Glass
8.  Complete Wall Lamp



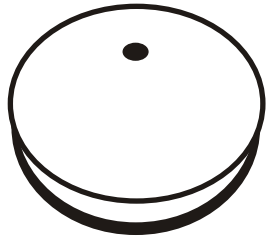
90223

Raw WL II Chrome

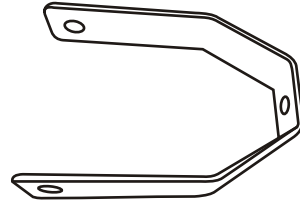


# INSTRUCTION MANUAL

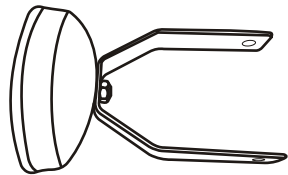
90223  
Raw WL II Chrome



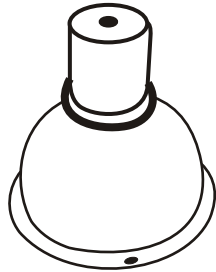
**1.**  
Wall Cup will be get tight by screw with wall hanger.



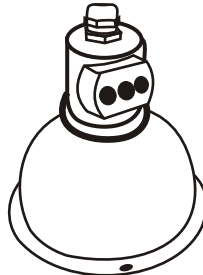
**2.**  
The Wall Hanger Will be tight by Brass Screw grip to make tight the shade from the sides.



**3.**  
The Wall Hanger Will be tight by Brass Screw grip to make tight the shade from the sides to fit to Cup.



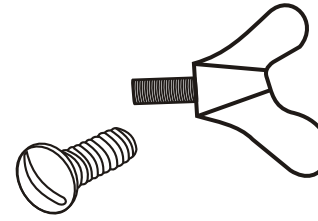
**4.**  
Shade will get Combine by the Hanger & Screw.



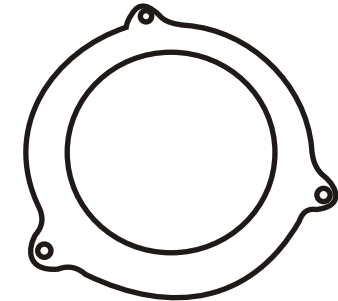
**5.**  
Shade will get Combine by the Hanger & Screw will be combine

# INSTRUCTION MANUAL

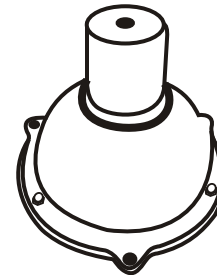
90223  
Raw WL II Chrome



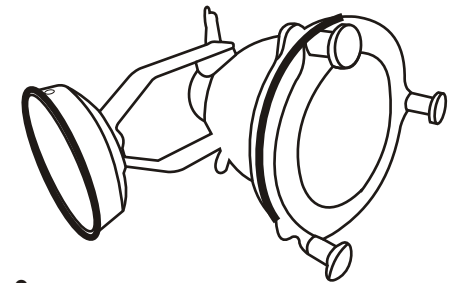
**6.** Screw & Bold.



**7.**  
The Aluminium Ring will come over the shade & will get tight by shade lower Aluminium Rings



**8.**  
The Lower Aluminium Ring will be with Glass



**9.**  
Now the Product is Ready to me.