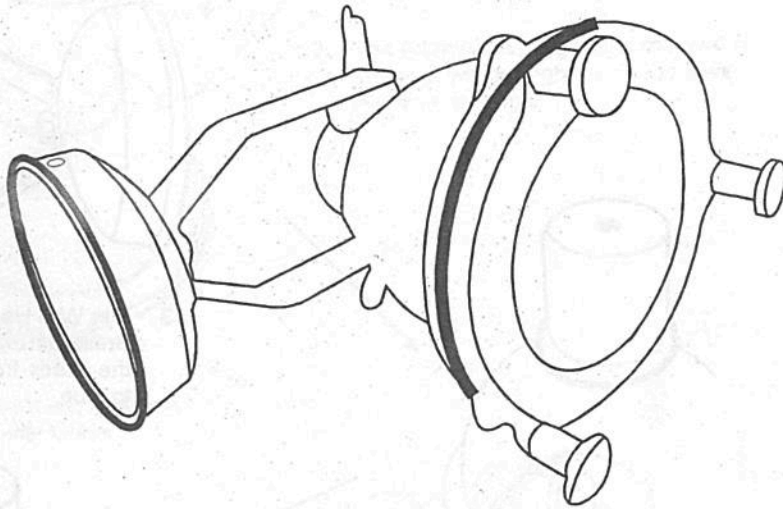




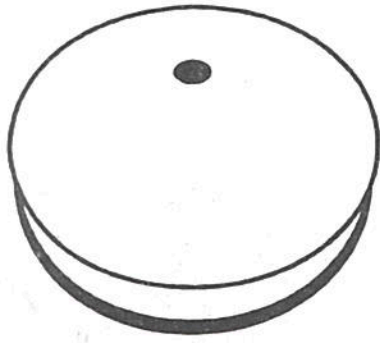
WWW.QAZQA.COM

ITEM # : 90222

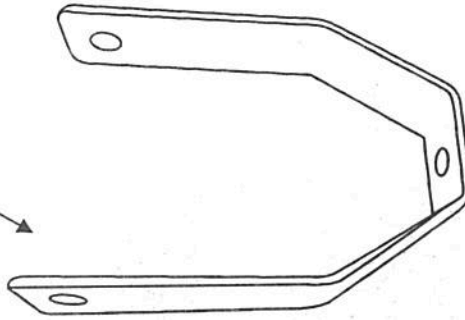
DESC. : Raw WL I Brass Chrome



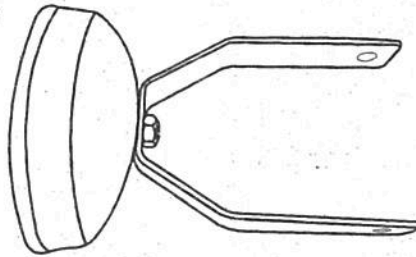
QAZQA



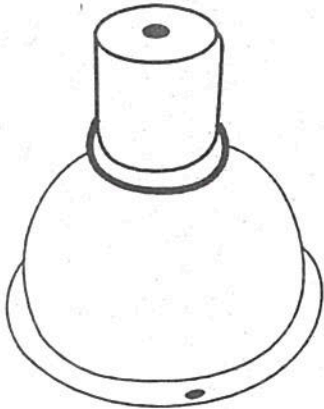
1. Wall Cup will be get tight by screw with wall hanger.



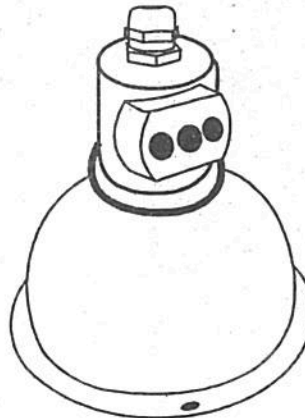
2. The Wall Hanger Will be tight by Brass Screw grip to make tight the shade from the sides.



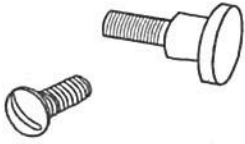
3. The Wall Hanger Will be tight by Brass Screw grip to make tight the shade from the sides to fit to Cup.



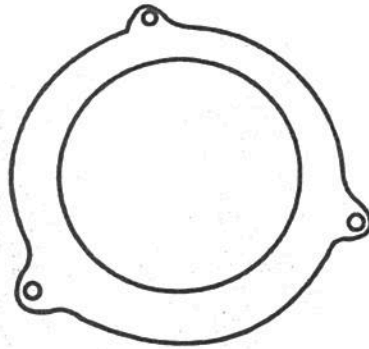
4. Shade will get Combine by the Hanger & Screw.



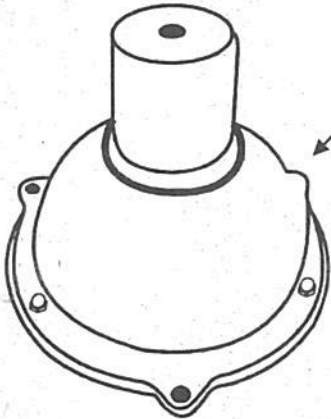
5. Shade will get Combine by the Hanger & Screw will be combine



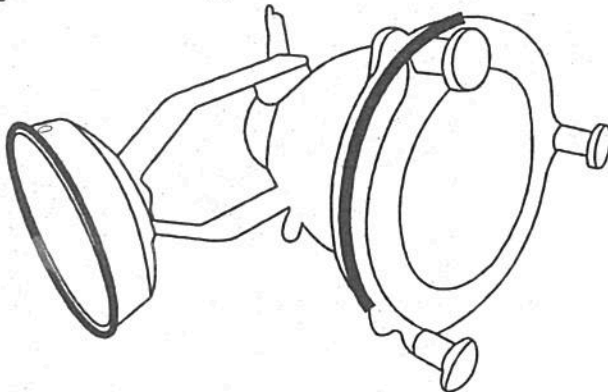
6. Screw & Bolt.




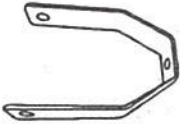
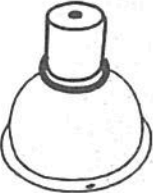
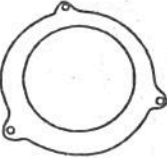
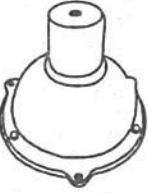

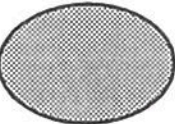
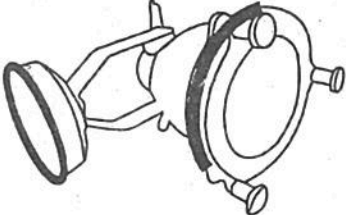
7. The Aluminium Ring will come over the shade & will get tight by shade lower Aluminium Rings



8. The Lower Aluminium Ring will be with Glass



9. Now the Product is Ready to me.

1.  Wall Cup
2.  Wall Hange
3.  Aluminium Shade
4.  Aluminium Ring
5.  Shed with Upper Ring
6.  Screw 4
7.  Lamp Glass
8.  Complete Wall Lamp