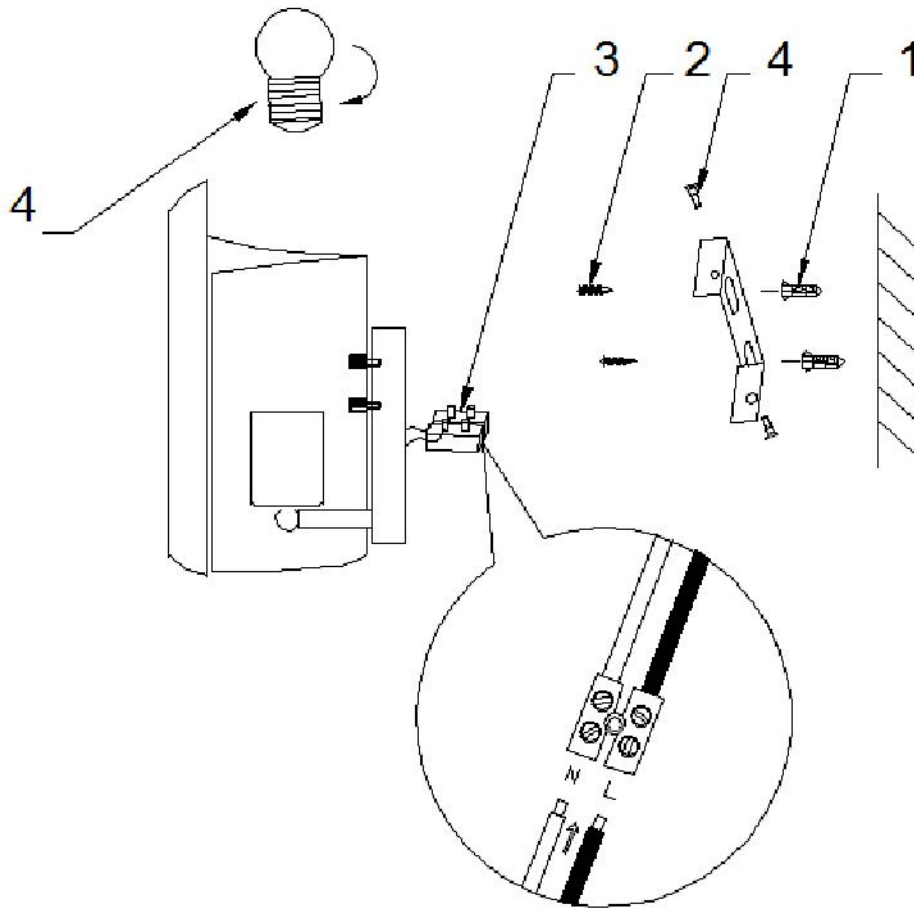
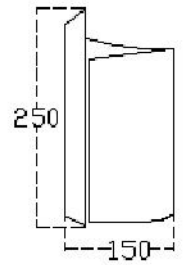




WWW.QAZQA.COM



Salerno WL Silver / Gold / White

45526 / 90017 / 90018

Cleaning Instructions:

1. Do not clean the lamp with a wet cloth, always ensure you use a dry cotton fabric cloth for cleaning your lamp.
2. Always ensure you disconnect the power before cleaning the lamp.

Caution:

1. Keep the lamp away from small children to ensure they cannot touch it.
2. Always ensure that the power is disconnected before changing the bulbs or repairing the lamp.

Please Note:

Make sure the lamp has been installed according to the specifications in the diagram above, before connecting it to the mains.

QAZQA