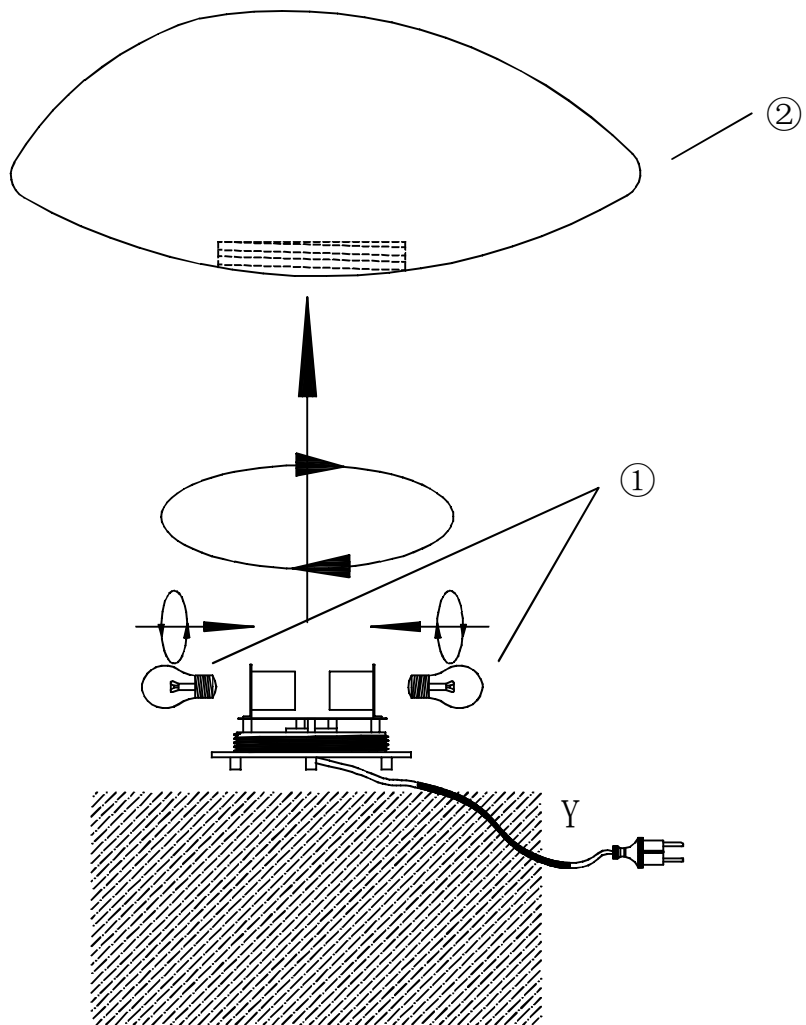




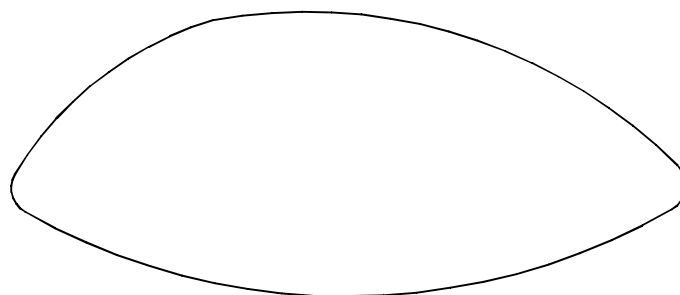
WWW.QAZQA.COM



**Y:** To avoid danger or damage to the external flexible power cable (power supply) for this lamp may only be replaced by the manufacturer, its service representatives or a suitably qualified electrician

90001

600mm



180mm

**QAZQA**